

POWER • GAS • HAND • TOOLS

POWER • GAS • HAND • TOOLS

POWER • GAS • HAND • TOOLS

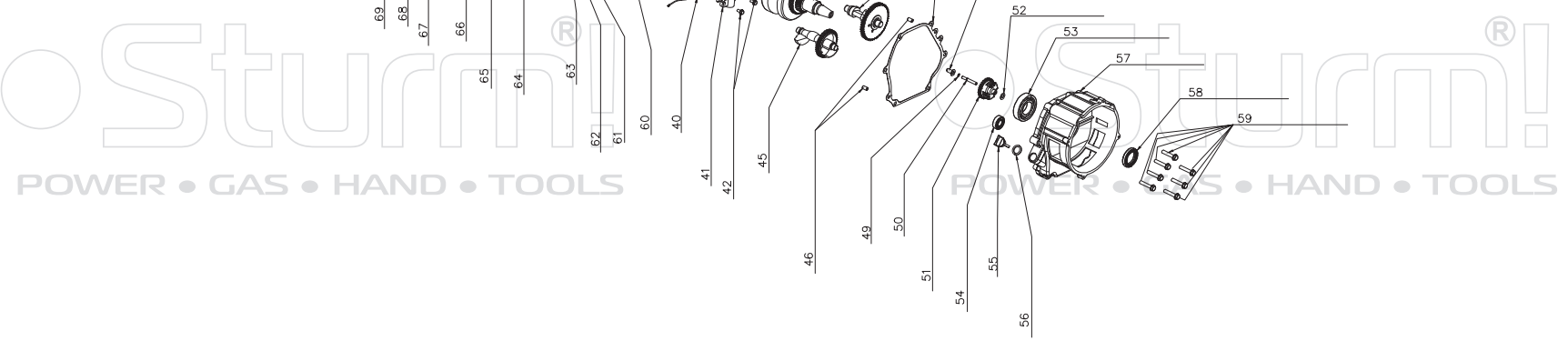
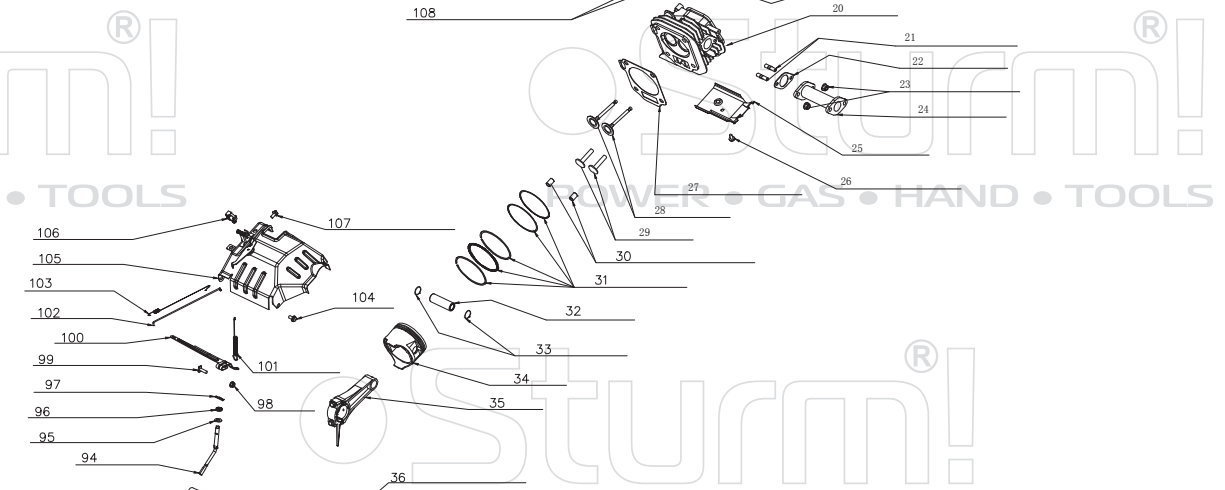
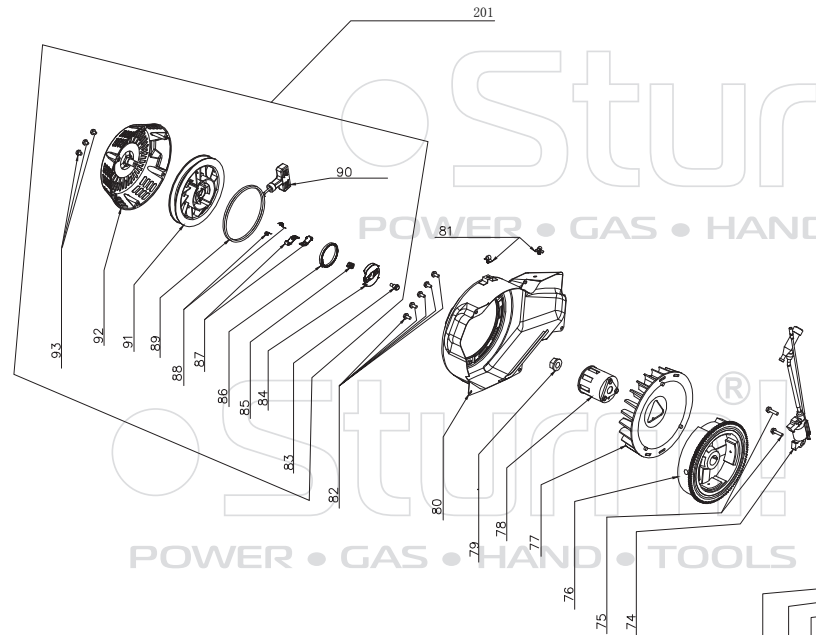
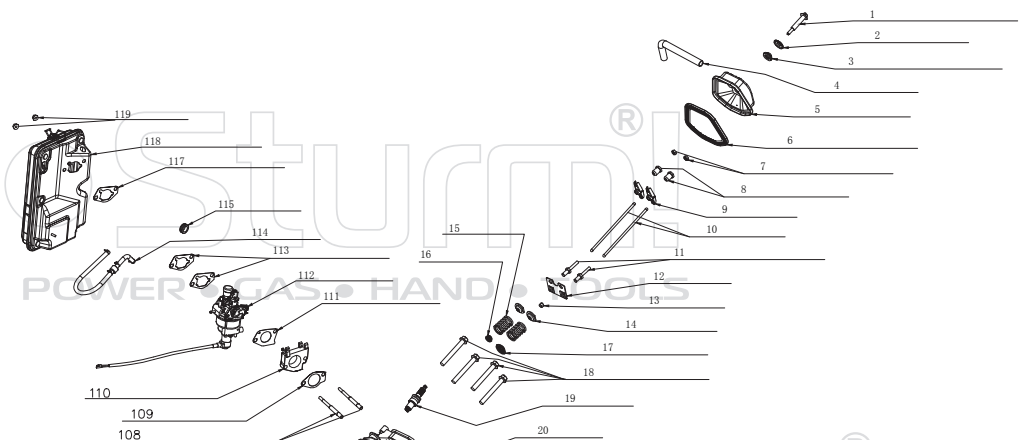
POWER • GAS • HAND • TOOLS

PG8756

NO.	DESCRIPTION	NO.	DESCRIPTION
1	FUEL TANK CAP	39	HEX. FLANGE BOLT
2	FILTER SCREEN	40	COLLAPSIBLE BEAM
3	FUEL GAUGE (INDICATOR)	41	FLAME
4	HEX. FLANGE BOLT	42	GUARD BOARD
5	FLAT WASHER	43	GUARD BOARD
6	BUSH	47	ELECTRIC STARTING SWITCH
7	FUEL TANK CUSHION	52	POWER INDICATOR
8	FUEL TANK	53	VOLTMETER ASSEMBLY
9	FUEL TANK SWITCH	54	LOW OIL ALERT LIGHT
10	ENGINE	55	BREAKER
11	AIR FILTER BRACKET	57	INDUSTRIAL SOCKET
12	NUT	58	EURO STYLE SOCKET
13	MUFFLER ASSEMBLY	59	DC PROTECTOR
14	HEX. FLANGE BOLT	61	NUT
15	MUFFLER SIDE COVER	62	SPRING WASHER
16	HEX. FLANGE BOLT	63	FLAT WASHER
17	HEX. FLANGE BOLT	64	HEX. FLANGE BOLT
18	MUFFLER SUPPORT BRACKET	65	TERMINAL
19	MOTOR BACK COVER	66	PANEL
20	ROTOR	67	HEX. FLANGE BOLT
21	STATOR WINDING	69	PANEL REAR COVER
22	MOTOR BRACKET	73	NUT
23	NUT	74	SMALL CUSHION PAD
24	SPRING WASHER	75	FLAT WASHER
25	HEX. FLANGE BOLT	76	SPRING WASHER
26	CARBON BRUSH ASSEMBLY	81	NUT
27	HEX. FLANGE BOLT	82	RUBBER FOOT PAD
28	RECTIFIER	83	BIG CUSHION PAD
29	HEX. FLANGE BOLT		
30	CONNECTION BLOCK		
31	HEX. FLANGE BOLT		
32	AVR		
33	FLAT WASHER		
34	SPRING WASHER		
35	HEX. FLANGE BOLT		
36	HEX. FLANGE BOLT		
37	REAR COVER		
38	HEX. FLANGE BOLT		

UK-ST20181126

Sturm![®]
POWER • GAS • HAND • TOOLS



ENGINE FOR PG8756

NO.	DESCRIPTION	NO.	DESCRIPTION	NO.	DESCRIPTION
1	ASSEMBLING BOLT	41	OIL SENSOR ASSEMBLY	85	PRESSURE BOARD SPRING
2	SEALED CAP	42	HEX. FLANGE BOLT	86	SPRING
3	BOLT SEAL	43	CRANK ASSEMBLY	87	RATCHET
4	WASTE PIPE	44	CAMSHAFT ASSEMBLY	88	RATCHET SPRING
5	CYLINDER HEAD COMP	45	BALANCE SHAFT	89	PULLING CORD
6	CYLINDER HEAD SEAL	46	CRANKCASE COVER POSITION PIN	90	HANDLE
7	VALVE CLEARANCE ADJUSTING NUT	47	CRANKCASE PAPER WASHER	91	RECOIL STARTER REEL
8	VALVE ARM NUT	48	SPEED ADJUSTING SHAFT SLEEVE	92	REEL COVER
9	VALVE ARM	49	CIRCLIP FOR SPEED ADJUSTING SHAFT	93	HEX. FLANGE BOLT
10	LEVER	50	SPEED ADJUSTING SHAFT	94	GOVERNOR ROD
11	SCREW	51	SPEED GEAR ASSY	95	WASHER
12	LEVER BRACKET	52	WASHER	96	OIL SEAL FOR GOVERNOR ROD
13	VALVE HEAD CAP	53	DEEP GROOVE BALL BEARING 6207	97	CLAMP FOR GOVERNOR ROD
14	VALVE SPRING BASE	54	DEEP GROOVE BALL BEARING 6202	98	NUT
15	VALVE SPRING	55	OIL LEVEL CAP ASSEMBLY	99	T SHAPED BOLT
16	VALVE SEAL	56	OIL LEVEL SEAL	100	GOVERNOR ARM
17	VALVE SPRING DOWN BASE	57	CRANKCASE HIGH COVER	101	RESET SPRING
18	CYLINDER BOLT	58	OIL SEAL	102	GOVERNOR BAR
19	SPARK PLUG	59	HEX. FLANGE BOLT	103	TRIMMING SPEED SPRING
20	CYLINDER HEAD	60	CRANKCASE	104	HEX. FLANGE BOLT
21	STUD BOLT	61	WASHER	105	GOVERNOR BASE ASSY
22	MUFFLER GASKET	62	OIL DRAIN BOLT	106	CORD CLAMP
23	SELF-LOCKING HEX. FLANGE NUT	63	CORD CLAMP I	107	HEX. FLANGE BOLT
24	MUFFLER SIPHONIUM	64	ONE-WAY CONDUCTOR ASSY	108	STUD SCREW
25	DOWN WIND GUARD	65	HEX. FLANGE BOLT	109	INTAKE WASHER
26	HEX. FLANGE BOLT	66	CRANKCASE RUBBER RING	110	CARBURETOR HEAT INSULATOR
27	CYLINDER HEAD SEAL GASKET	67	OIL SEAL	111	(OUT) CARBURETOR WASHER
28	INTAKE AND EXHAUST VALVE	68	CHARGE COIL ASSY	112	CARBURETOR ASSEMBLY
29	LITER	69	HEX. FLANGE BOLT	113	(IN) CARBURETOR WASHER
30	VALVE HEAD POSITION PIN	74	IGNITION COIL ASSY	114	CHECK VALVE
31	PISTON RING ASSY	75	HEX. FLANGE BOLT	115	SCREW RUBBER RING
32	PISTON PIN	76	FLY WHEEL WITH GEAR	117	CARBURETOR WASHER
33	PISTON CIRCLIP	77	FAN	118	AIR FILTER ASSEMBLY
34	PISTON	78	START COVER	119	NUT
35	CONNECTION ROD	79	NUT	201	RECOIL STARTER
36	OIL DRAIN BOLT	80	FAN COVER		
37	WASHER	81	SWALLOW CLAMP		
38	DEEP GROOVE BALL BEARING 6207	82	HEX. FLANGE BOLT		
39	DEEP GROOVE BALL BEARING 6202	83	PRESSURE BOARD SCREW		
40	NUT	84	PRESSURE BOARD		

UK-ST20181126