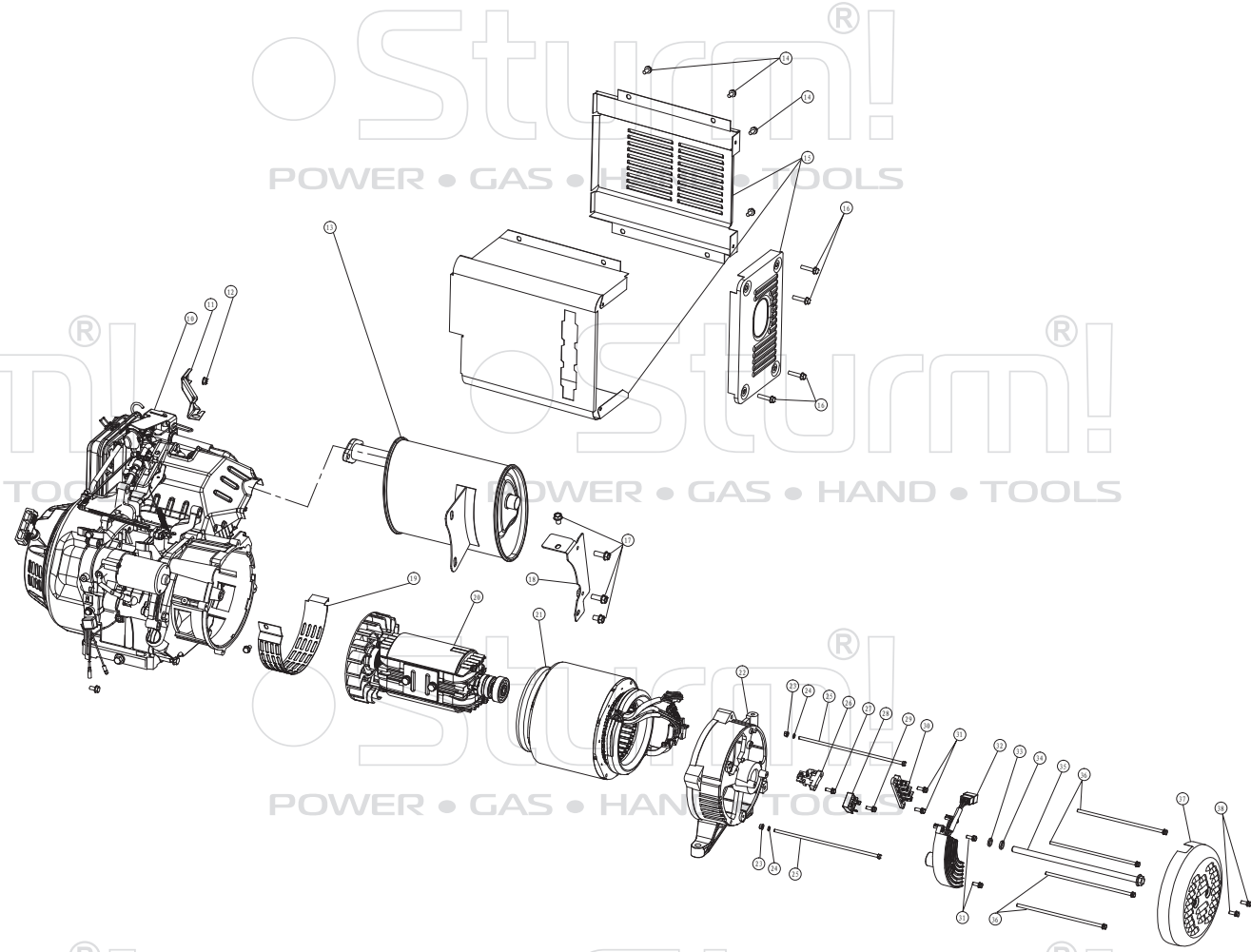


POWER • GAS • HAND • TOOLS



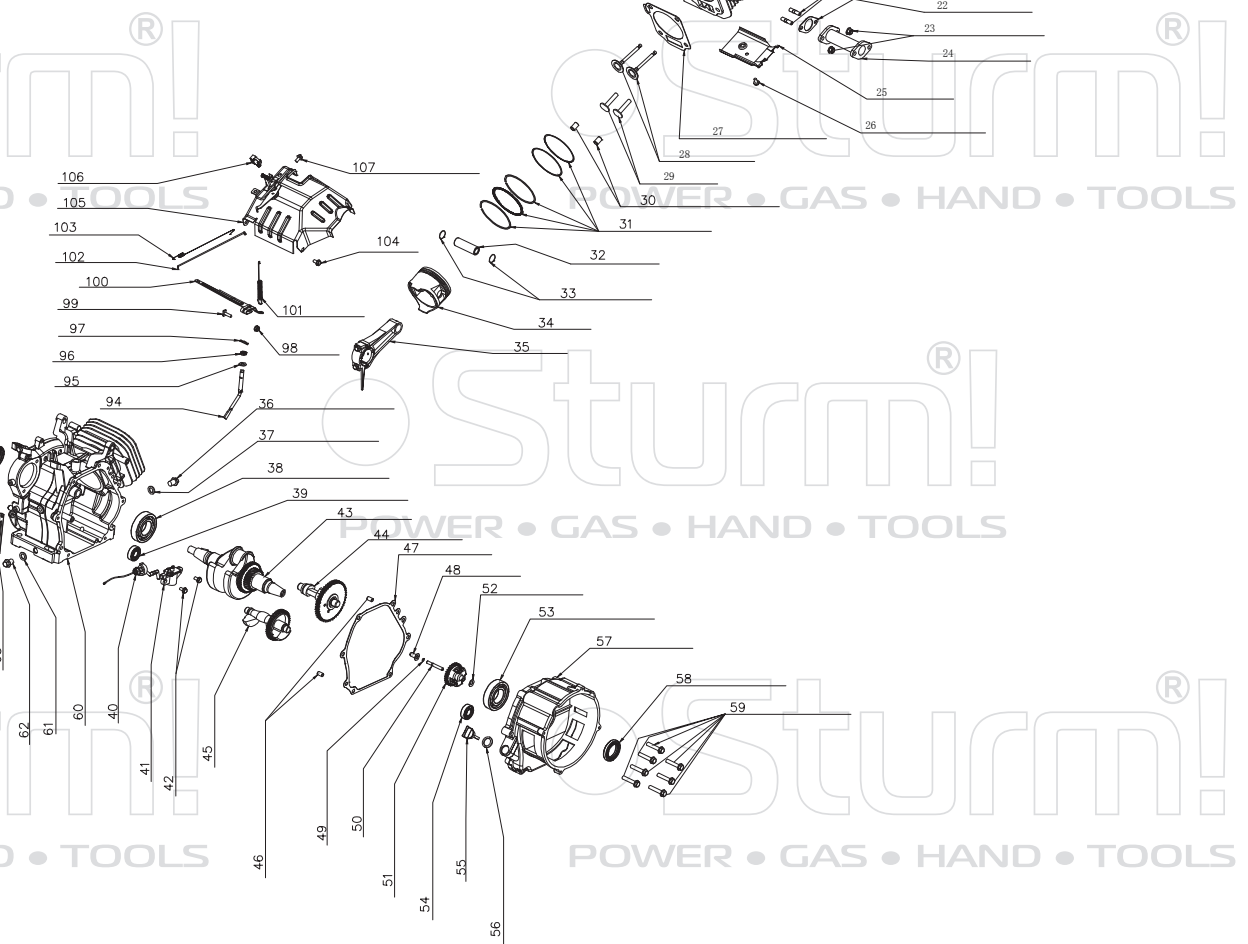
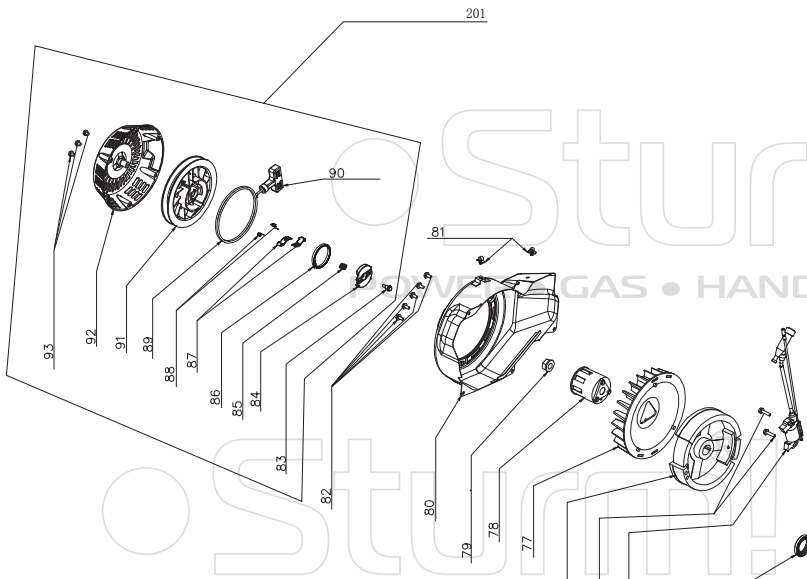
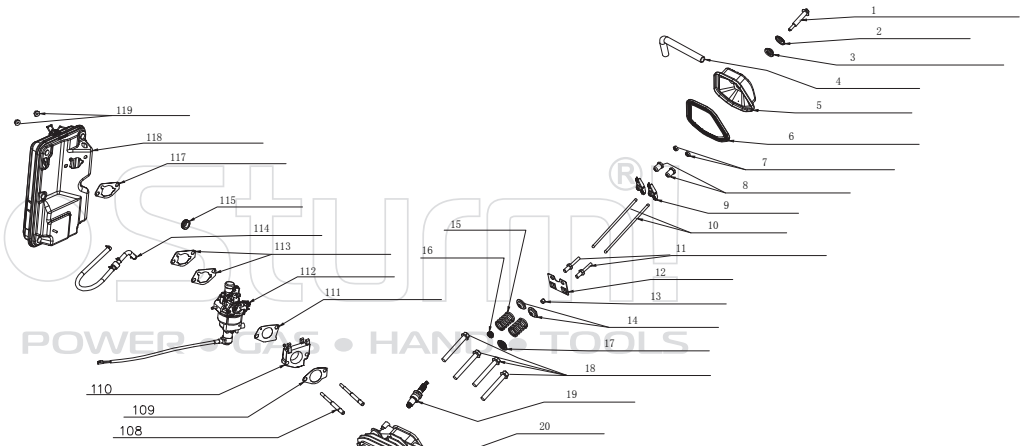
POWER • GAS • HAND • TOOLS

## PG876031

NO.	DESCRIPTION	NO.	DESCRIPTION
1	FUEL TANK CAP	47	SWITCH
2	FILTER SCREEN	52	POWER INDICATOR
3	FUEL GAUGE (INDICATOR)	53	VOLTMETER ASSEMBLY
4	HEX. FLANGE BOLT	54	LOW OIL ALERT LIGHT
5	FLAT WASHER	55	BREAKER
6	BUSH	57	INDUSTRIAL SOCKET
7	FUEL TANK CUSHION	58	EURO STYLE SOCKET
8	FUEL TANK	59	DC PROTECTOR
9	FUEL TANK SWITCH	61	NUT
10	ENGINE	62	SPRING WASHER
11	AIR FILTER BRACKET	63	FLAT WASHER
12	NUT	64	HEX. FLANGE BOLT
13	MUFFLER ASSEMBLY	65	DC SOCKET
14	HEX. FLANGE BOLT	66	PANEL
15	MUFFLER SIDE COVER	67	HEX. FLANGE BOLT
16	HEX. FLANGE BOLT	68	AC PROTECTOR
17	HEX. FLANGE BOLT	69	PANEL REAR COVER
18	MUFFLER SUPPORT BRACKET	73	NUT
19	MOTOR BACK COVER	74	SMALL CUSHION PAD
20	ROTOR	75	FLAT WASHER
21	STATOR WINDING	76	SPRING WASHER
22	MOTOR BRACKET	83	BIG CUSHION PAD
23	NUT	84	NUT
24	SPRING WASHER	85	FLAT WASHER
25	HEX. FLANGE BOLT	86	RUBBER FOOT PAD
26	CARBON BRUSH ASSEMBLY		
27	HEX. FLANGE BOLT		
28	RECTIFIER		
29	HEX. FLANGE BOLT		
30	CONNECTION BLOCK		
31	HEX. FLANGE BOLT		
32	AVR		
33	FLAT WASHER		
34	SPRING WASHER		
35	HEX. FLANGE BOLT		
36	HEX. FLANGE BOLT		
37	REAR COVER		
38	HEX. FLANGE BOLT		
39	HEX. FLANGE BOLT		
40	COLLAPSIBLE BEAM		
41	FLAME		

ST20140217

Sturm!<sup>®</sup>  
POWER • GAS • HAND • TOOLS



Sturm!<sup>®</sup>  
POWER • GAS • HAND • TOOLS

Sturm!<sup>®</sup>  
POWER • GAS • HAND • TOOLS

## ENGINE FOR PG876031

NO.	DESCRIPTION	NO.	DESCRIPTION	NO.	DESCRIPTION
1	ASSEMBLING BOLT	41	OIL SENSOR ASSEMBLY	87	RATCHET
2	SEALED CAP	42	HEX. FLANGE BOLT	88	RATCHET SPRING
3	BOLT SEAL	43	CRANK ASSEMBLY	89	PULLING CORD
4	WASTE PIPE	44	CAMSHAFT ASSEMBLY	90	HANDLE
5	CYLINDER HEAD COMP	45	BALANCE SHAFT	91	RECOIL STARTER REEL
6	CYLINDER HEAD SEAL	46	CRANKCASE COVER POSITION PIN	92	REEL COVER
7	VALVE CLEARANCE ADJUSTING NUT	47	CRANKCASE PAPER WASHER	93	HEX. FLANGE BOLT
8	VALVE ARM NUT	48	SPEED ADJUSTING SHAFT SLEEVE	94	GOVERNOR ROD
9	VALVE ARM	49	CIRCLIP FOR SPEED ADJUSTING SHAFT	95	WASHER
10	LEVER	50	SPEED ADJUSTING SHAFT	96	OIL SEAL FOR GOVERNOR ROD
11	SCREW	51	SPEED GEAR ASSY	97	CLAMP FOR GOVERNOR ROD
12	LEVER BRACKET	52	WASHER	98	NUT
13	VALVE HEAD CAP	53	DEEP GROOVE BALL BEARING 6207	99	T SHAPED BOLT
14	VALVE SPRING BASE	54	DEEP GROOVE BALL BEARING 6202	100	GOVERNOR ARM
15	VALVE SPRING	55	OIL LEVEL CAP ASSEMBLY	101	RESET SPRING
16	VALVE SEAL	56	OIL LEVEL SEAL	102	GOVERNOR BAR
17	VALVE SPRING DOWN BASE	57	CRANKCASE HIGH COVER	103	TRIMMING SPEED SPRING
18	CYLINDER BOLT	58	OIL SEAL	104	HEX. FLANGE BOLT
19	SPARK PLUG	59	HEX. FLANGE BOLT	105	GOVERNOR BASE ASSY
20	CYLINDER HEAD	60	CRANKCASE	106	CORD CLAMP
21	STUD BOLT	61	WASHER	107	HEX. FLANGE BOLT
22	MUFFLER GASKET	62	OIL DRAIN BOLT	108	STUD SCREW
23	SELF-LOCKING HEX. FLANGE NUT	63	CORD CLAMP I	109	INTAKE WASHER
24	MUFFLER SIPHONIUM	64	ONE-WAY CONDUCTOR ASSY	110	CARBURETOR HEAT INSULATOR
25	DOWN WIND GUARD	65	HEX. FLANGE BOLT	111	(OUT) CARBURETOR WASHER
26	HEX. FLANGE BOLT	66	CRANKCASE RUBBER RING	112	CARBURETOR ASSEMBLY
27	CYLINDER HEAD SEAL GASKET	67	OIL SEAL	113	(IN) CARBURETOR WASHER
28	INTAKE AND EXHAUST VALVE	74	IGNITION COIL ASSY	114	CHECK VALVE
29	LITER	75	HEX. FLANGE BOLT	115	SCREW RUBBER RING
30	VALVE HEAD POSITION PIN	76	FLY WHEEL	117	CARBURETOR WASHER
31	PISTON RING ASSY	77	FAN	118	AIR FILTER ASSEMBLY
32	PISTON PIN	78	START COVER	119	NUT
33	PISTON CIRCLIP	79	NUT	201	RECOIL STARTER
34	PISTON	80	FAN COVER		
35	CONNECTION ROD	81	SWALLOW CLAMP		
36	OIL DRAIN BOLT	82	HEX. FLANGE BOLT		
37	WASHER	83	PRESSURE BOARD SCREW		
38	DEEP GROOVE BALL BEARING 6207	84	PRESSURE BOARD		
39	DEEP GROOVE BALL BEARING 6202	85	PRESSURE BOARD SPRING		
40	NUT	86	SPRING		

ST20140217