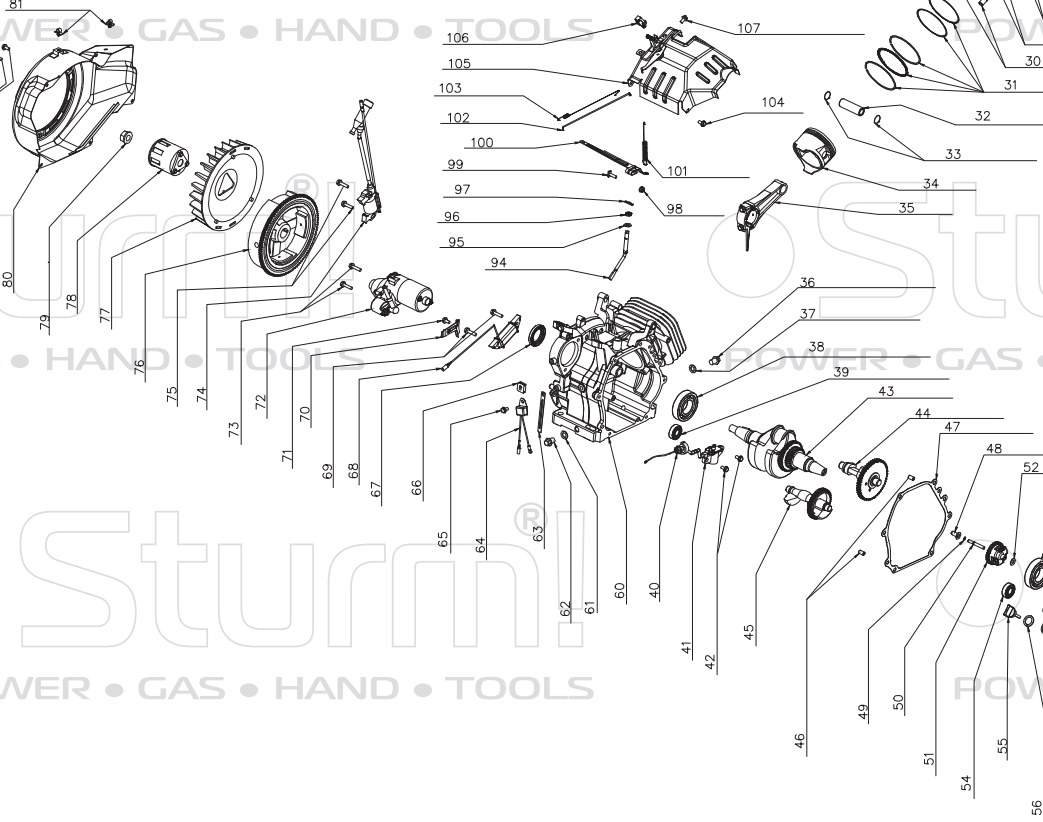
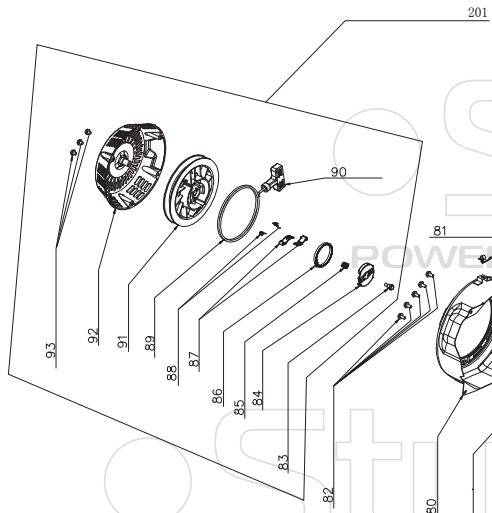
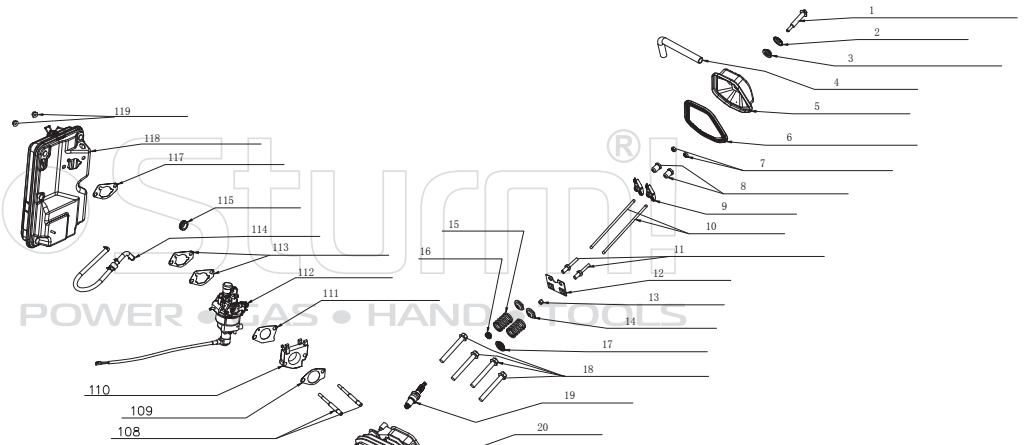


PG8770E

NO.	DESCRIPTION	NO.	DESCRIPTION
1	FUEL TANK CAP	45	FLAT WASHER
2	FILTER SCREEN	46	NUT
3	FUEL GAUGE (INDICATOR)	47	ELECTRIC STARTING SWITCH
4	HEX. FLANGE BOLT	48	ELECTRIC STARTING SWITCH KEY
5	FLAT WASHER	52	POWER INDICATOR
6	BUSH	53	VOLTMETER ASSEMBLY
7	FUEL TANK CUSHION	54	LOW OIL ALERT LIGHT
8	FUEL TANK	55	BREAKER
9	FUEL TANK SWITCH	57	INDUSTRIAL SOCKET
10	ENGINE	58	EURO STYLE SOCKET
11	AIR FILTER BRACKET	59	DC PROTECTOR
12	NUT	61	NUT
13	MUFFLER ASSEMBLY	62	SPRING WASHER
14	HEX. FLANGE BOLT	63	FLAT WASHER
15	MUFFLER SIDE COVER	64	HEX. FLANGE BOLT
16	HEX. FLANGE BOLT	65N	TERMINAL
17	HEX. FLANGE BOLT	66	PANEL
18	MUFFLER SUPPORT BRACKET	67	HEX. FLANGE BOLT
19	MOTOR BACK COVER	68	AC PROTECTOR
20	ROTOR	69	PANEL REAR COVER
21	STATOR WINDING	70	HEX. FLANGE BOLT
22	MOTOR BRACKET	71	BATTERY BOX
23	NUT	72	BATTERY
24	SPRING WASHER	73	NUT
25	HEX. FLANGE BOLT	74	SMALL CUSHION PAD
26	CARBON BRUSH ASSEMBLY	75	FLAT WASHER
27	HEX. FLANGE BOLT	76	SPRING WASHER
28	RECTIFIER	77	FLAT WASHER
29	HEX. FLANGE BOLT	78	SPRING WASHER
30	CONNECTION BLOCK	79	HEX. FLANGE BOLT
31	HEX. FLANGE BOLT	80	FLAME BRACKET
32	AVR	81	NUT
33	FLAT WASHER	82	RUBBER FOOT PAD
34	SPRING WASHER	83	BIG CUSHION PAD
35	HEX. FLANGE BOLT	84	HEX. FLANGE BOLT
36	HEX. FLANGE BOLT	85	FLAT WASHER
37	REAR COVER	86	NUT
38	HEX. FLANGE BOLT	87	HANDLE
39	HEX. FLANGE BOLT	88	CONNECTION WIRE OF BATTERY
40	COLLAPSIBLE BEAM	89N	GUARD BOARD
41	FLAME	90N	GUARD BOARD
42	SOLID WHEEL		
43	SHORT AXIS OF WHEEL		
44	FLAT WASHER		

UK-ST20160830

Sturm![®]
POWER • GAS • HAND • TOOLS



Sturm![®]
POWER • GAS • HAND • TOOLS

Sturm![®]
POWER • GAS • HAND • TOOLS

ENGINE FOR PG8770E

NO.	DESCRIPTION	NO.	DESCRIPTION	NO.	DESCRIPTION
1	ASSEMBLING BOLT	41	OIL SENSOR ASSEMBLY	81	SWALLOW CLAMP
2	SEALED CAP	42	HEX. FLANGE BOLT	82	HEX. FLANGE BOLT
3	BOLT SEAL	43	CRANK ASSEMBLY	83	PRESSURE BOARD SCREW
4	WASTE PIPE	44	CAMSHAFT ASSEMBLY	84	PRESSURE BOARD
5	CYLINDER HEAD COMP	45	BALANCE SHAFT	85	PRESSURE BOARD SPRING
6	CYLINDER HEAD SEAL	46	CRANKCASE COVER POSITION PIN	86	SPRING
7	VALVE CLEARANCE ADJUSTING NUT	47	CRANKCASE PAPER WASHER	87	RATCHET
8	VALVE ARM NUT	48	SPEED ADJUSTING SHAFT SLEEVE	88	RATCHET SPRING
9	VALVE ARM	49	CIRCLIP FOR SPEED ADJUSTING SHAFT	89	PULLING CORD
10	LEVER	50	SPEED ADJUSTING SHAFT	90	HANDLE
11	SCREW	51	SPEED GEAR ASSY	91	RECOIL STARTER REEL
12	LEVER BRACKET	52	WASHER	92	REEL COVER
13	VALVE HEAD CAP	53	DEEP GROOVE BALL BEARING 6207	93	HEX. FLANGE BOLT
14	VALVE SPRING BASE	54	DEEP GROOVE BALL BEARING 6202	94	GOVERNOR ROD
15	VALVE SPRING	55	OIL LEVEL CAP ASSEMBLY	95	WASHER
16	VALVE SEAL	56	OIL LEVEL SEAL	96	OIL SEAL FOR GOVERNOR ROD
17	VALVE SPRING DOWN BASE	57	CRANKCASE HIGH COVER	97	CLAMP FOR GOVERNOR ROD
18	CYLINDER BOLT	58	OIL SEAL	98	NUT
19	SPARK PLUG	59	HEX. FLANGE BOLT	99	T SHAPED BOLT
20	CYLINDER HEAD	60	CRANKCASE	100	GOVERNOR ARM
21	STUD BOLT	61	WASHER	101	RESET SPRING
22	MUFFLER GASKET	62	OIL DRAIN BOLT	102	GOVERNOR BAR
23	SELF-LOCKING HEX. FLANGE NUT	63	CORD CLAMP I	103	TRIMMING SPEED SPRING
24	MUFFLER SIPHONIUM	64	ONE-WAY CONDUCTOR ASSY	104	HEX. FLANGE BOLT
25	DOWN WIND GUARD	65	HEX. FLANGE BOLT	105	GOVERNOR BASE ASSY
26	HEX. FLANGE BOLT	66	CRANKCASE RUBBER RING	106	CORD CLAMP
27	CYLINDER HEAD SEAL GASKET	67	OIL SEAL	107	HEX. FLANGE BOLT
28	INTAKE AND EXHAUST VALVE	68	CHARGE COIL ASSY	108	STUD SCREW
29	LITER	69	HEX. FLANGE BOLT	109	INTAKE WASHER
30	VALVE HEAD POSITION PIN	70	PRESSURE BOARD	110	CARBURETOR HEAT INSULATOR
31	PISTON RING ASSY	71	HEX. FLANGE BOLT	111	(OUT) CARBURETOR WASHER
32	PISTON PIN	72	MOTOR	112	CARBURETOR ASSEMBLY
33	PISTON CIRCLIP	73	HEX. FLANGE BOLT	113	(IN) CARBURETOR WASHER
34	PISTON	74	IGNITION COIL ASSY	114	CHECK VALVE
35	CONNECTION ROD	75	HEX. FLANGE BOLT	115	SCREW RUBBER RING
36	OIL DRAIN BOLT	76	FLY WHEEL WITH GEAR	117	CARBURETOR WASHER
37	WASHER	77	FAN	118	AIR FILTER ASSEMBLY
38	DEEP GROVE BALL BEARING 6207	78	START COVER	119	NUT
39	DEEP GROVE BALL BEARING 6202	79	NUT	201	RECOIL STARTER
40	NUT	80	FAN COVER		

UK-ST20160830

PG8770E

NO.	DESCRIPTION	NO.	DESCRIPTION
1	FUEL TANK CAP	45	FLAT WASHER
2	FILTER SCREEN	46	NUT
3	FUEL GAUGE (INDICATOR)	47	ELECTRIC STARTING SWITCH
4	HEX. FLANGE BOLT	48	ELECTRIC STARTING SWITCH KEY
5	FLAT WASHER	52	POWER INDICATOR
6	BUSH	53	VOLTMETER ASSEMBLY
7	FUEL TANK CUSHION	54	LOW OIL ALERT LIGHT
8	FUEL TANK	55	BREAKER
9	FUEL TANK SWITCH	57	INDUSTRIAL SOCKET
10	ENGINE	58	EURO STYLE SOCKET
11	AIR FILTER BRACKET	59	DC PROTECTOR
12	NUT	61	NUT
13	MUFFLER ASSEMBLY	62	SPRING WASHER
14	HEX. FLANGE BOLT	63	FLAT WASHER
15	MUFFLER SIDE COVER	64	HEX. FLANGE BOLT
16	HEX. FLANGE BOLT	65N	TERMINAL
17	HEX. FLANGE BOLT	66	PANEL
18	MUFFLER SUPPORT BRACKET	67	HEX. FLANGE BOLT
19	MOTOR BACK COVER	68	AC PROTECTOR
20	ROTOR	69	PANEL REAR COVER
21	STATOR WINDING	70	HEX. FLANGE BOLT
22	MOTOR BRACKET	71	BATTERY BOX
23	NUT	72	BATTERY
24	SPRING WASHER	73	NUT
25	HEX. FLANGE BOLT	74	SMALL CUSHION PAD
26	CARBON BRUSH ASSEMBLY	75	FLAT WASHER
27	HEX. FLANGE BOLT	76	SPRING WASHER
28	RECTIFIER	77	FLAT WASHER
29	HEX. FLANGE BOLT	78	SPRING WASHER
30	CONNECTION BLOCK	79	HEX. FLANGE BOLT
31	HEX. FLANGE BOLT	80	FLAME BRACKET
32	AVR	81	NUT
33	FLAT WASHER	82	RUBBER FOOT PAD
34	SPRING WASHER	83	BIG CUSHION PAD
35	HEX. FLANGE BOLT	84	HEX. FLANGE BOLT
36	HEX. FLANGE BOLT	85	FLAT WASHER
37	REAR COVER	86	NUT
38	HEX. FLANGE BOLT	87	HANDLE
39	HEX. FLANGE BOLT	88	CONNECTION WIRE OF BATTERY
40	COLLAPSIBLE BEAM	89N	GUARD BOARD
41	FLAME	90N	GUARD BOARD
42	SOLID WHEEL		
43	SHORT AXIS OF WHEEL		
44	FLAT WASHER		

UK-ST20160830