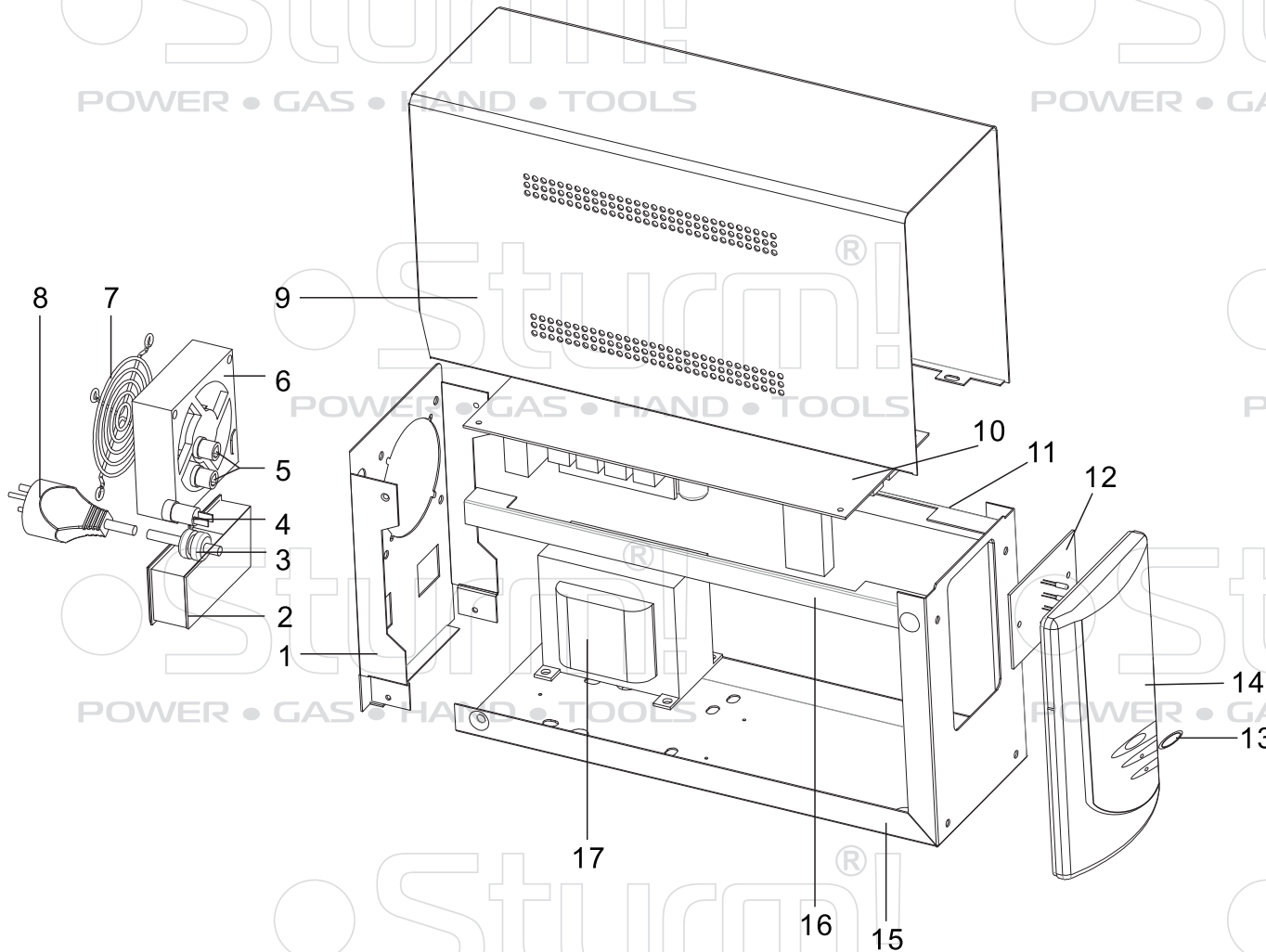


PS95006SW



NO.	DESCRIPTION
1	REAR PANEL
2	OUTPUT SOCKET
3	CABLE HOLDER
4	FUSE
5	BATTERY INPUT TERMINALS
6	FAN
7	FAN FENCE
8	PLUG
9	METAL COVER
10	MAIN BOARD
11	LEFT PCB SUPPORT BRIDGE
12	DISPLAY BOARD
13	POWER SWITCH
14	FRONT PANEL
15	METAL CHASSIS
16	RIGHT PCB SUPPORT BRIDGE
17	TRANSFORMER

PS95006SW-EX-UKW220714PS