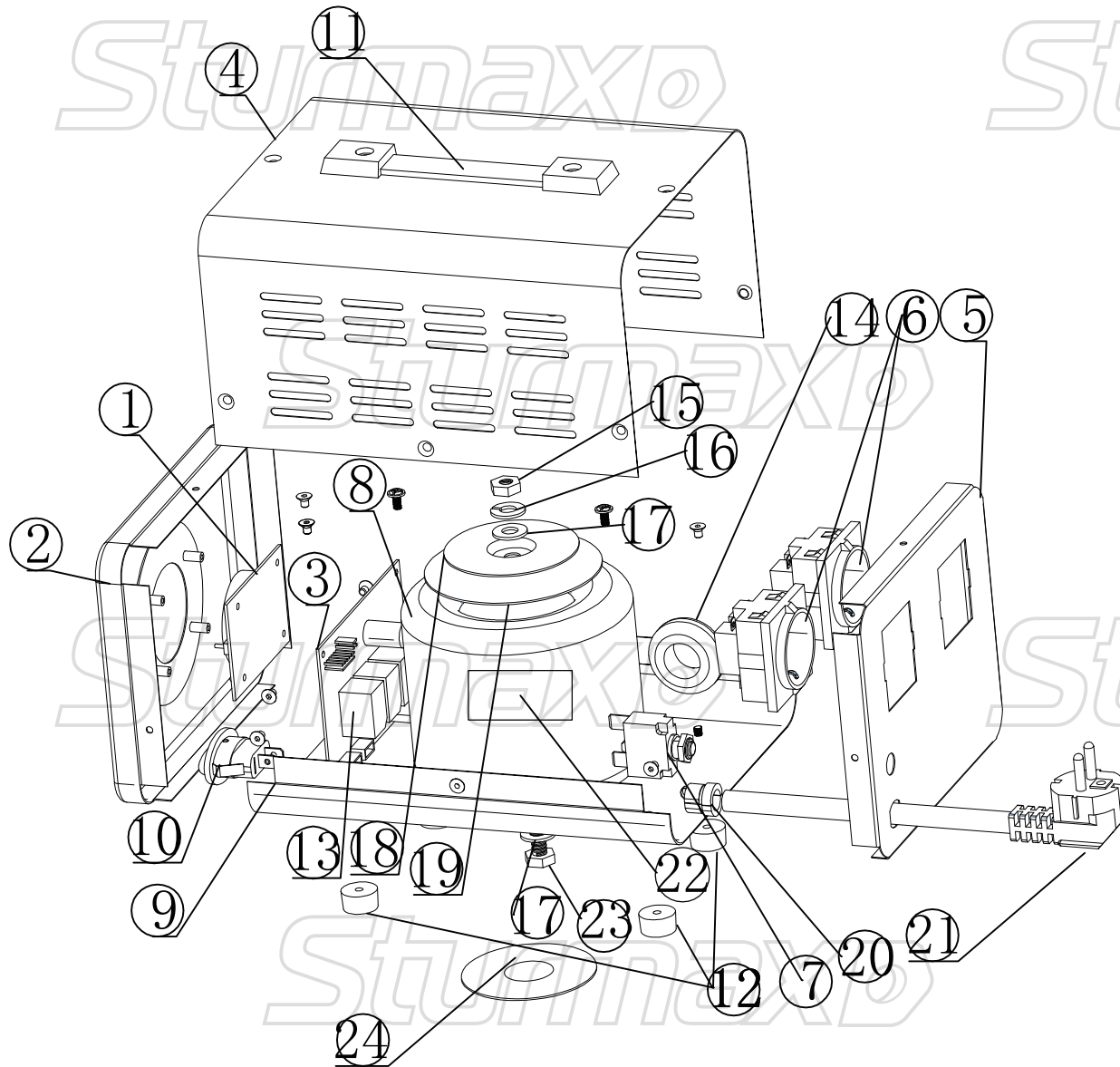


# PSM932000R



NO.	DESCRIPTION
1	LED DISPLAY PANEL
2	FRONT METAL PANEL
3	PCB
4	METAL COVER
5	BACK METAL PANEL
6	EU STANDARD SOCKET
7	OVECURRENT PROTECTOR
8	TOROIDAL TRANSFORMER
9	BASE COVER
10	SWITCH
11	HANDLE
12	FEET
13	RELAY
14	CURRENT TRANSFORMER
15	HEXAGON NUT
16	SPRING PAD
17	FLAT PAD
18	IRON COVER OF TRANSFORMER
19	SMALL RUBBER PAD
20	CLAMP
21	POWER CABLE AND PLUG
22	TEMPERATURE CONTROLLER
23	SCREW ROD
24	BIG RUBBER PAD