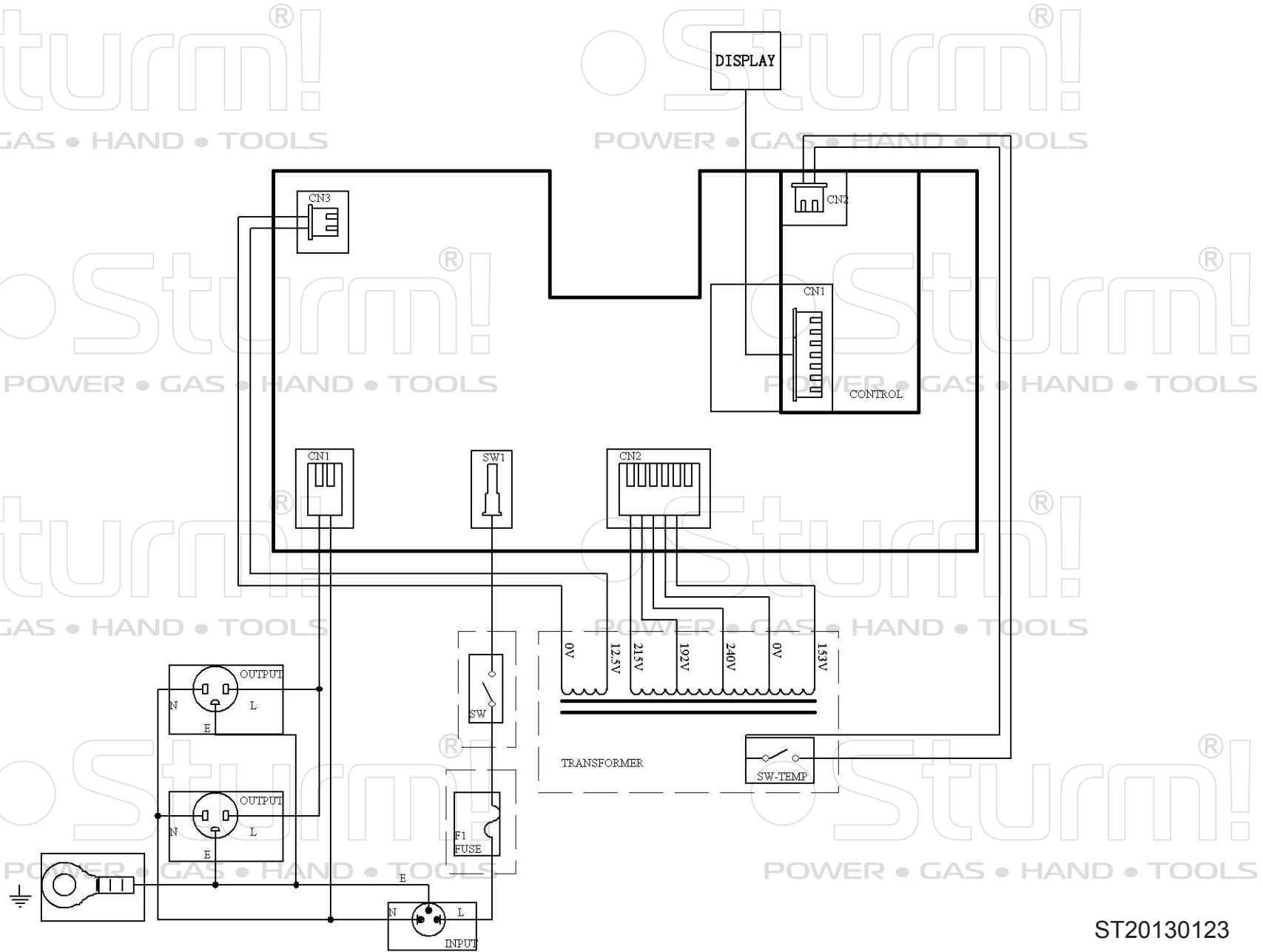
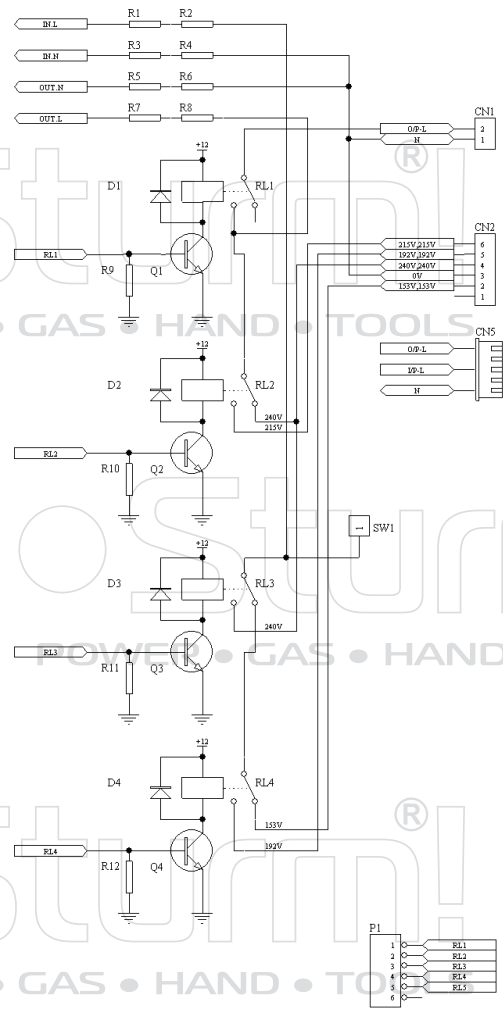


CONNECTING WIRE DIAGRAM OF PS93005RV . PS93010RV



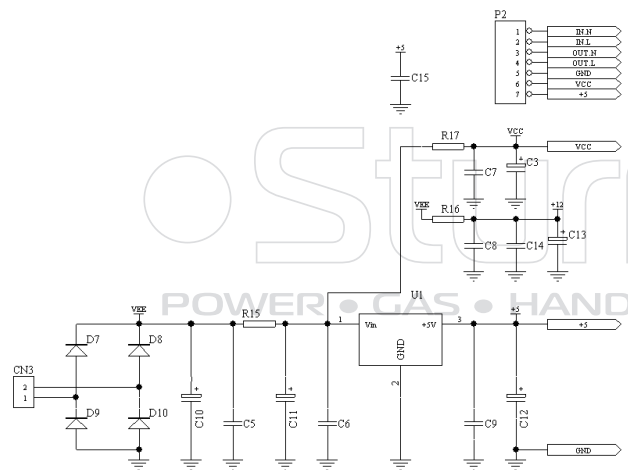
ST20130123



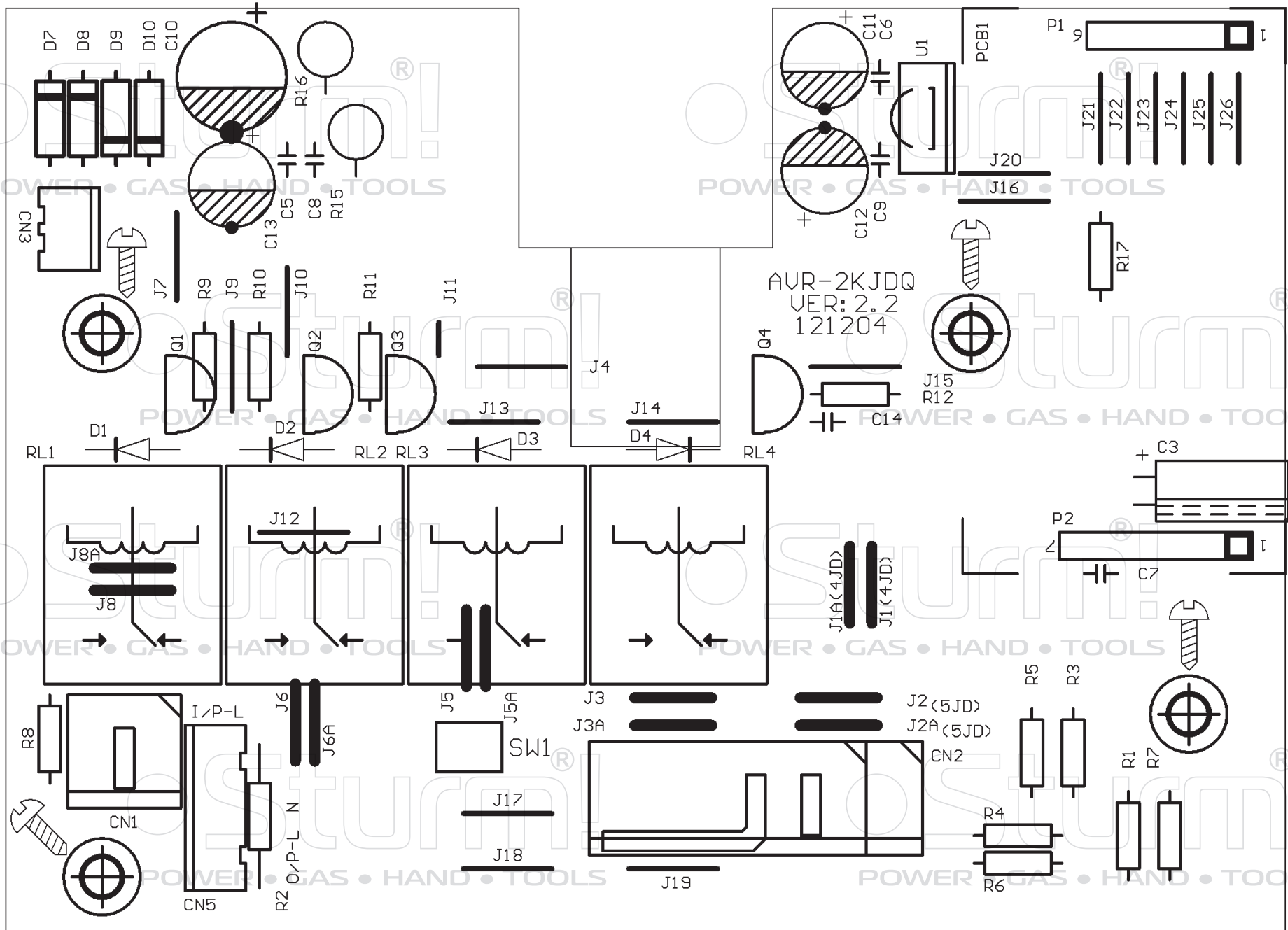
PCB CIRCUIT DIAGRAM OF PS93005RV.PS93010RV

NO.	DESCRIPTION
J11	φ0.6*5mm
J4,J7,J9,J10,J12~J26	φ0.6*10mm
J3,J3A,J5,J5A,J6,J6A,J8,J8A	φ0.8*10mm
J1,J1A	φ0.8*10mm
R17	10Ω
R9,R10,R11,R12,R13	3K
R1,R2,R3,R4,R5,R6,R7,R8	1M
R15	22Ω
R16	10Ω
C5,C6,C7,C8,C9,C14	104K/100V
C3	10uF/50V/105 C
C11,C12,C13	220uF/35V/105 C
C10	1000uF/35V/105 C
D1,D2,D3,D4	1N4148
D7,D8,D9,D10	1N4007
Q1,Q2,Q3,Q4	2N2222A
U1	LM7805CT
RL1,RL2,RL3,RL4	15A 250V-1Z-12VDC
P1	2.54mm-6P
P2	2.54mm-7P
CN3	XH2.54-2P
CN5	XH2.54-5P
CN1	5.08mm-2P
CN2	5.08mm-6P
SW1	φ1.5mm-1P

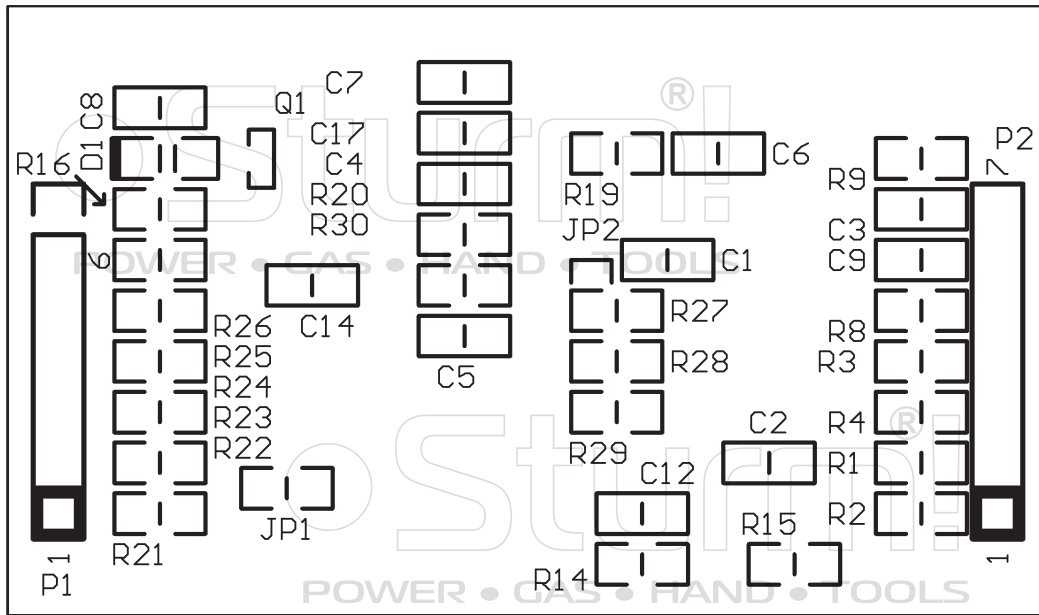
ST20130123



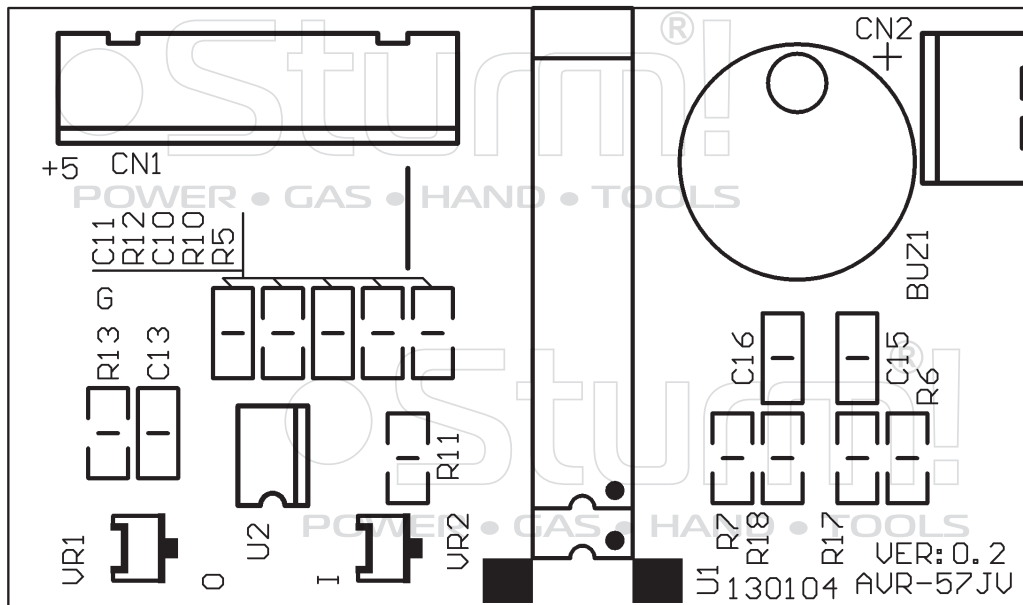
THE MAIN BOARD OF PS93005RV, PS93010RV



CPU CIRCUIT DIAGRAM OF BOTTOM



CPU CIRCUIT DIAGRAM OF TOP

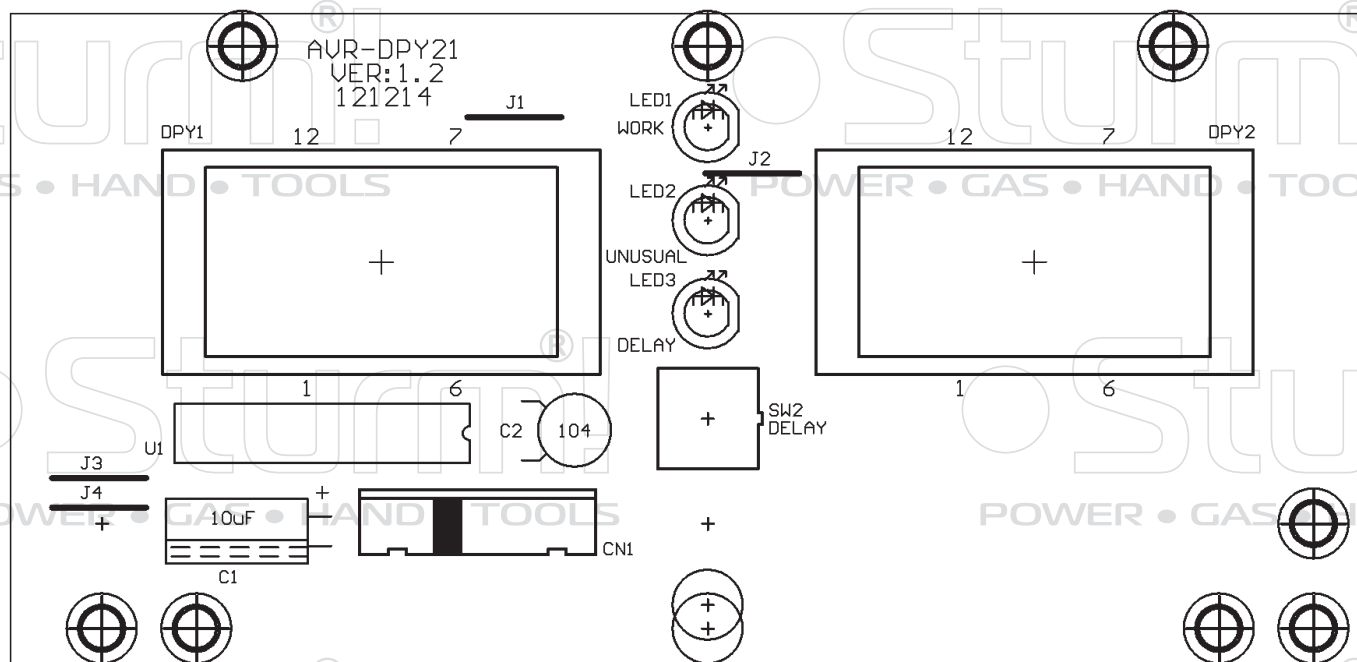


THE CPU BOARD OF PS93005RV.PS93010RV

NO.	DESCRIPTION
JP1	0Ω
R8,R9	20Ω
R28,R29	510Ω
R6,R7	1K
R21,R22,R23,R24,R25,R26	2K7
R11,R13	8K2
R10,R12,R16,R17,R18	10K
R14,R15	15K
R19,R20	33K
R30	43K
R1,R2,R3,R4	825K
VR1,VR2	502
C10,C11,C12,C13	102J/50V
C15,C16	103J/50V
C1,C2,C3,C4,C5,C6,C7,C8,C9	104K/50V
C17	105K/25V
D1	1N4148
Q1	2N2222A
U2	LM358
U1	HT46R47
BUZ1	12V/φ12
CN2	XH2.54-2P
CN1	XH2.54-7P
P1	2.54mm-6P
P2	2.54mm-7P

ST20130123

Sturm!
POWER • GAS • HAND • TOOLS



LED VOLTAGE OF PS93005RV.PS93010RV

NO.	DESCRIPTION
J1,J2,J3,J4	φ0.5*10mm
C2	104K/100V
C1	10uF/50V/105 C
LED1	φ3 LED
LED2	φ3 LED
LED3	φ3 LED
DPY1,DPY2	LC-4301FS
U1	TM1637
SW2	8.5*8.5*14

ST20130123