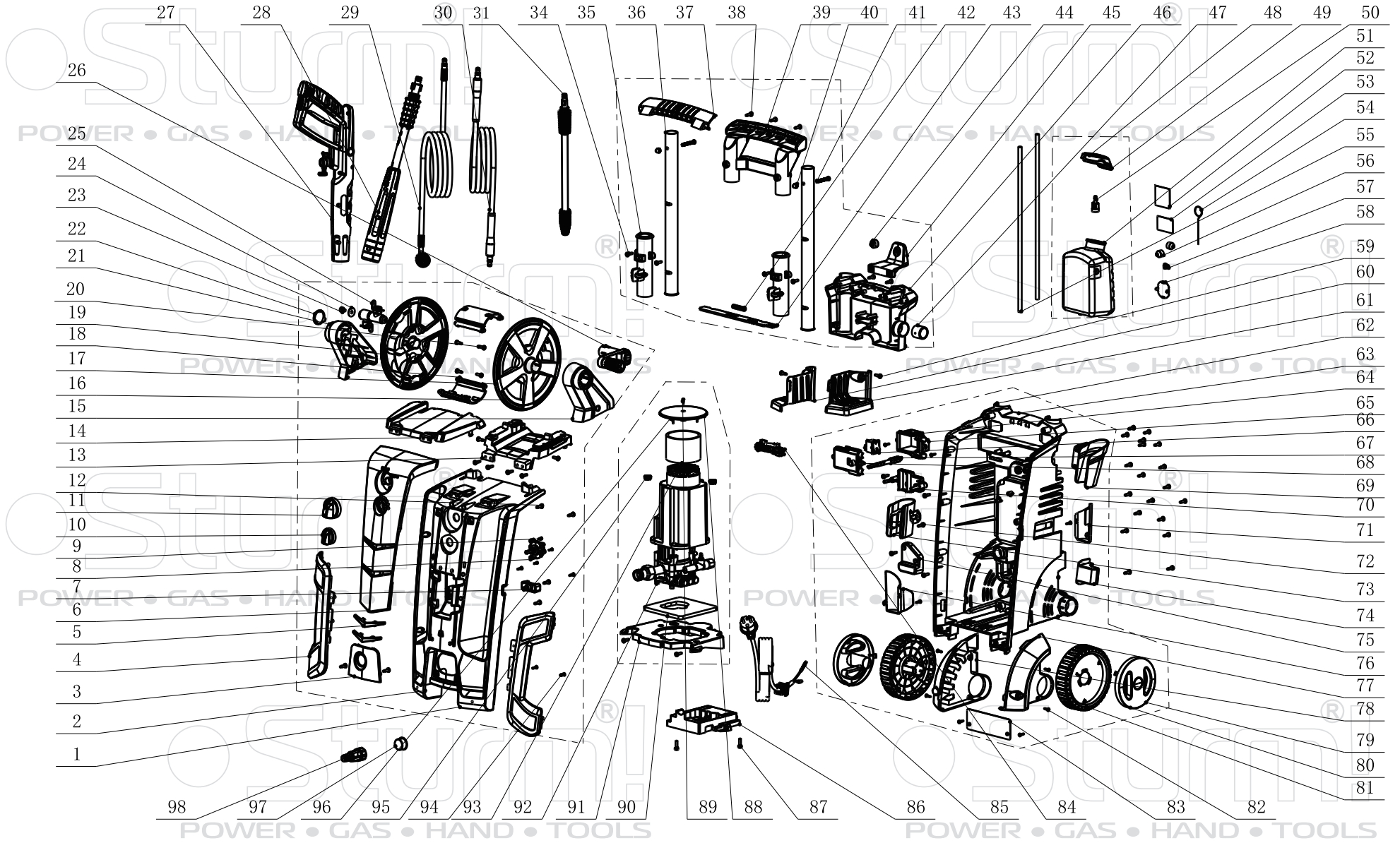


PW9203

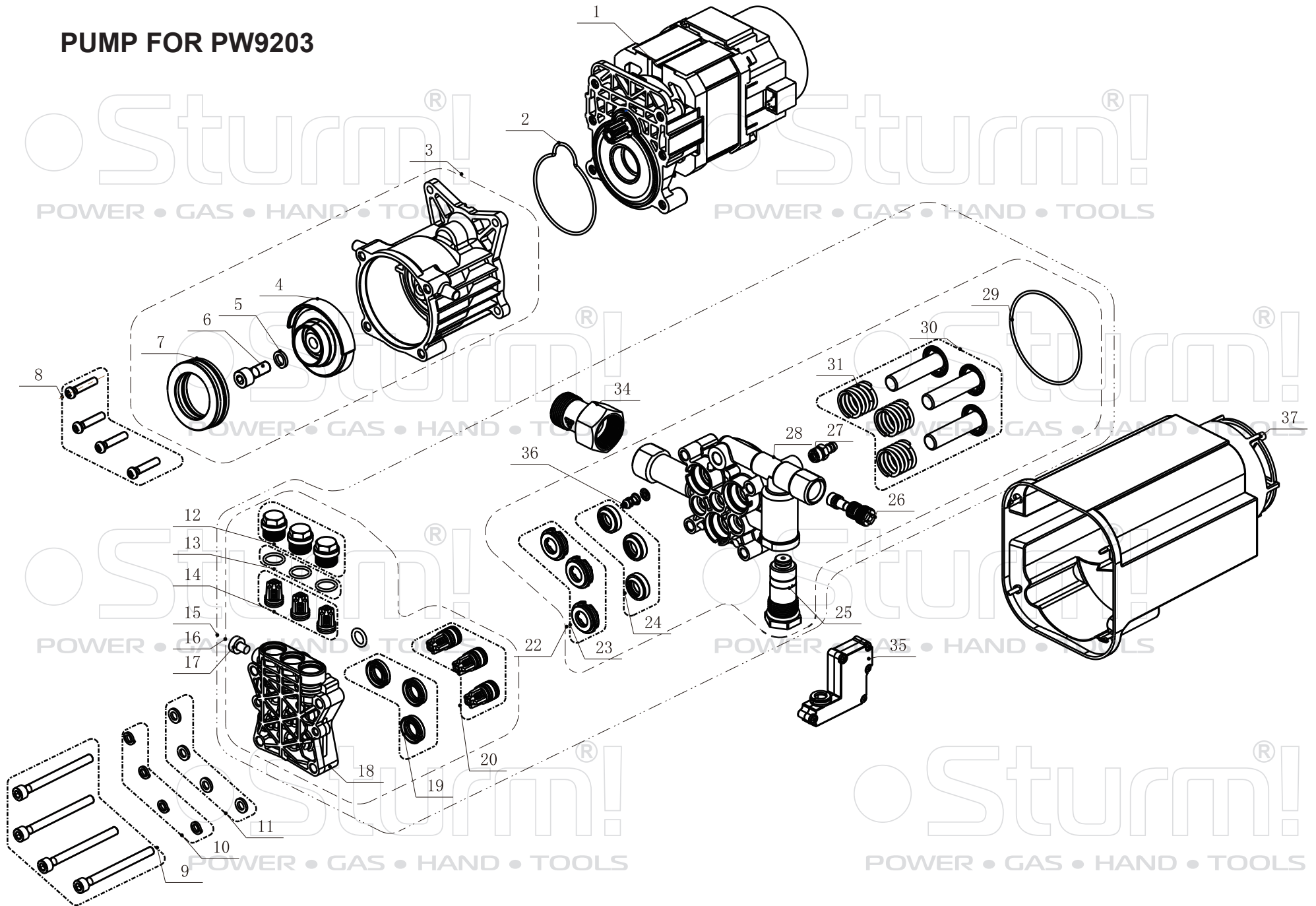


PW9203

NO.	DESCRIPTION	NO.	DESCRIPTION	NO.	DESCRIPTION
1	FRONT HOUSING ASSY	36	GUIDE PULL	69	ACCESSORIES PLATE
2	FRONT HOUSING	37	HANDLE COVER	70	FIXED BRACKET FOR SWITCH BOX
3	INLET DECORATIVE PLATE	38	SCREW	71	RIGHT COVER PLATE FOR SOAP BOTTLE
4	LEFT AND RIGHT DECORATIVE PLATE ASSY	39	HANDLE	72	SCREW
5	SMALL DECORATIVE PLATES	40	NUT	73	GUN HOLDER
6	KNOB DECORATIVE PLATES	41	BOLT	74	DAMPER
7	FRONT STOP BLOCK	42	SPRING	75	BACK STOP BLOCK
8	DETERGENT VALVE	43	PULL ROD LOCK	76	LEFT COVER PLATE FOR SOAP BOTTLE
9	SCREW	44	DAMPING RING	77	RIGHT WHEEL BRIM
10	DETERGENT KNOB	45	CABLE HOOK	78	LEFT WHEEL BRIM
11	SWITCH KNOB	46	BACK PLATE	79	WHEEL ASSY
12	SCREW	47	LOCK BUTTON	80	WHEEL COVER
13	FRAME BASE	48	DETERGENT TANK ASSY	81	WHEEL
14	TOP PLATE	49	DETERGENT TANK COVER	82	SCREW
15	RIGHT FRAME	50	TANK SPIGOT & TANK PLUG	83	WATERPROOF BOARD
16	HOSE REEL ASSY	51	DETERGENT TANK	84	CAPACITOR & INDUCTANCE ASSY
17	RIGHT HOSE REEL RIM	52	LABEL	85	POWER CABEL & PLUG
18	HOSE REEL HUB	53	WARNING LABEL	86	PUMP BASE
19	LEFT HOSE REEL RIM	54	CLEANER	87	SCREW
20	SCREW	55	PIPETTE	88	MOTOR & PUMP ASSY
21	LEFT FRAME	56	TARPAULIN	89	SCREW
22	HOSE FRAME COVER	57	WATERPROOF PLUG	90	FRONT FILTER SCREEN FOR FAN COVER
23	SCREW	58	OUTLET COVER PLATE	91	WIND DEFLECTOR
24	FLAT WASHER	59	SCREW	92	PUMP ASSY
25	2 WAY CONNECTOR ASSY	60	LEFT GUN STOCK	93	BACK STRAINER
26	ROLLING HANDLE ASSY	61	RIGHT GUN STOCK	94	SCREW
27	SPRAY GUN YLG10	62	BACK HOUSING ASSY	95	WATER PROOF
28	SPRAY LANCE YLG10	63	BACK HOUSING	96	FAN HOUSING CAP
29	0.65M HIGH PRESSURE HOSE	64	SWITCH BOX ASSY	97	WATER INLET COVER
30	5M HIGH PRESSURE HOSE	65	SWITCH BOX KIT	98	INLET WATER NUT ASSY
31	TURBO LANCE -YL	66	SWITCH		
34	HANDLE ASSY	67	SWITCH LEVEL		
35	GUIDE PULL ROD	68	SWITCH BOX		

ST-UK20191226

PUMP FOR PW9203



PUMP FOR PW9203

NO.	DESCRIPTION
1	9655- AL -MOTOR
2	YLJ08-PEACH-SHAPE-RING
3	YLY08-GEAR-BOX-18-ASSY
4	81-DEGREE-M08-WOBBLE-DISC
5	SPRING-WASHER-D8
6	BOLT M8X20
7	THRUST-BALL-BEARING-51107A
8	SCREW
9	SCREW M6X70
10	SPRING-WASHER-D6-R2
11	SMALL-PLAIN-WASHER-D6
12	YLP03-CHECK-VALVE-NUT
13	O-RING
14	YLP03-OUTLET-CHECK-VALVE-ASSY
15	YLP08-PUMP-28458-ASSY
16	YLP08-CYLINDER-HEAD-17001-ASSY
17	SCREW M6X8
18	YLP08-CYLINDER-HEAD-HC96
19	Y-SEAL-COG
20	YLP08-INLET-VALVE-ASSY
22	YLP08-PISTON-GUIDER-26560-ASSY
23	YLP08-WATER-SEAL-SUPPORT-NEW-2
24	PISTON-SEAL-20-12-5
25	YLPT-FD-BYPASS-VALVE-19-ASSY
26	YLQ10S-VENTURI-ASSY-19001
27	YLQ10S-SUCTION-NIPPLE-ASSY
28	YLP08-PISTON-GUIDER-S-M22
29	O-RING
30	YLP08-PISTON-ASSY
31	YLP08-PISTON-SPRING
34	MPX120B-INLET-ASSY
35	YLP08-MICROSWITCH-BOX-6700
36	YLP08-CHIEF-VALVE-700-ASSY
37	YLJ08-MOTOR-COVER-C

ST-UK20191226