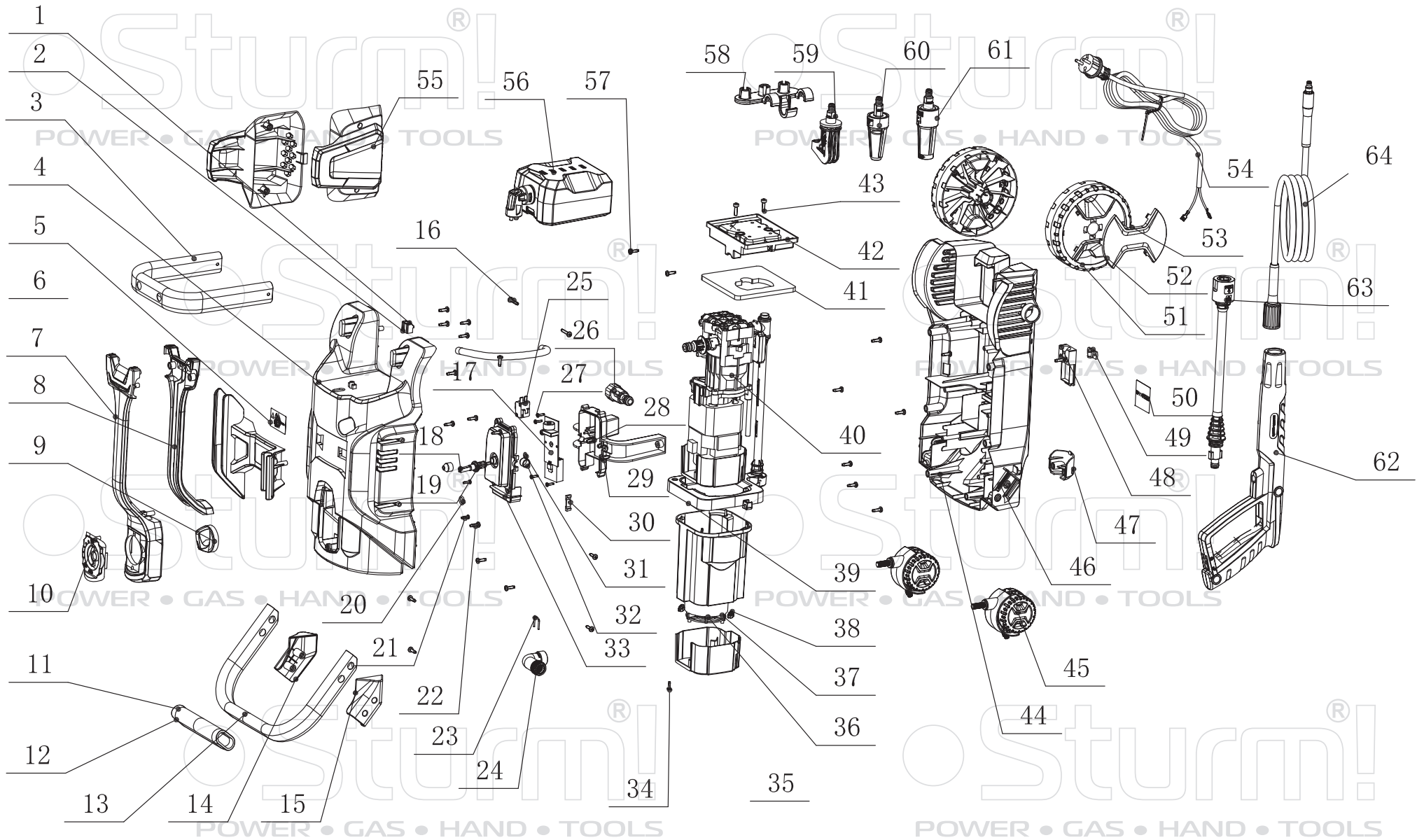


PW9204

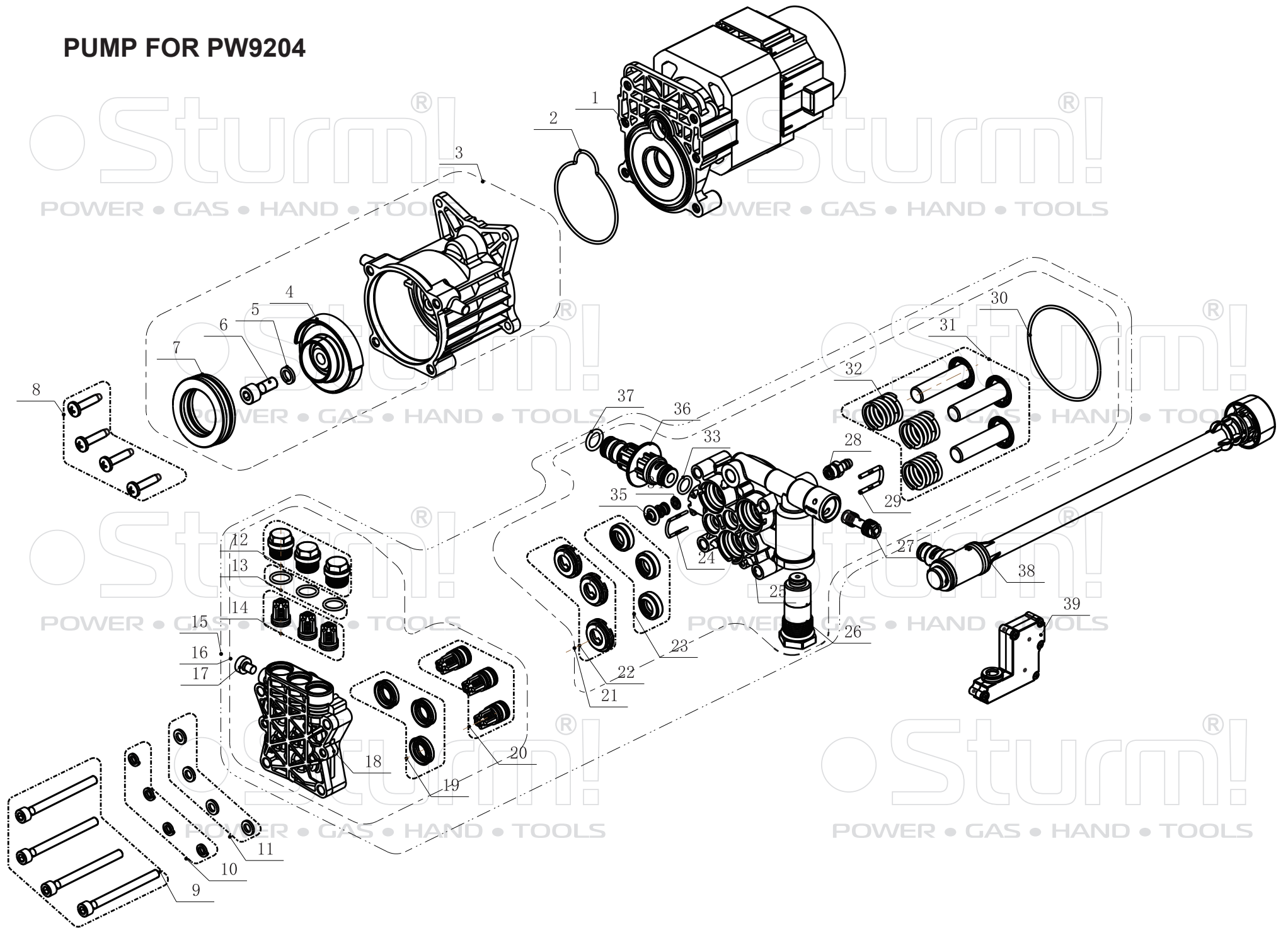


PW9204

NO.	DESCRIPTION	NO.	DESCRIPTION
1	TOP COVER KIT	33	SWITCH COVER FOR SPEED ADJUST
2	CLEANING BOTTLE HOOK	34	SCREW
3	METAL TUBE (BEHIND)	35	YLQ5740CT WIND CAP
4	TOP COVER	36	YLQ5740CT MOTOR & PUMP ASS'Y
5	WARNING LABEL	37	FAN COVER
6	GUN HOLDER	38	WATER PROOF
7	HANDLE CAP	39	CLAPBOARD
8	HANDLE BASE	40	MOTOR & PUMP KIT
9	ROTARY KNOB	41	FRONT FILTER SCREEN FOR FAN COVER
10	DECORATIVE PANEL	42	PUMP BASE
11	METAL TUBE KIT (FRONT)	43	SCREW
12	EVA HANDLE SLEEVE	44	BASE
13	METAL TUBE (FRONT)	45	UNIVERSAL WHEEL KIT
14	FIXED PLATE FOR LEFT METAL TUBE	46	BASE
15	FIXED PLATE FOR RIGHT METAL TUBE	47	QUCIK CONNECTOR COVERPLATE
16	SCREW	48	CABLE PLATE
17	STEPLESS SPEED REGULATING PLATE	49	CABLE PLATE/NEW
18	ADJUSTABLE SPEED SWITCH BOX ASS'Y	50	RATING LABEL
19	LEVER FOR SPEED ADJUST	51	WHEEL KIT
20	O-RING	52	WHEEL
21	SCREW	53	WHEEL COVER
22	SCREW	54	POWER CABLE & PLUG
23	U PIN	55	PIPE HOOK
24	INLET ELBOW	56	CLEANING BOTTLE KIT
25	SWITCH	57	SCREW
26	INLET WATER NUT ASS'Y	58	NOZZLE HOLDER
27	SCREW	59	QUCIK FAN-SHAPED BENT NOZZLE KIT
28	SWITCH BOX FOR SPEED ADJUST	60	QUCIK TURBO LANCE KIT
29	SCREW	61	QUCIK FAN-SHAPED NOZZLE KIT
30	LOADING SPRING PLATE	62	YLG10 GUN
31	O-RING	63	SPRAY LANCE KIT
32	WATER PROOF CAP	64	PRESSURE HOSE

ST-UK20191226

PUMP FOR PW9204



PUMP FOR PW9204

NO.	DESCRIPTION	NO.	DESCRIPTION
1	HC9650-31122-MOTOR	21	YLP0850-PISTON-GUIDER-2003-ASSY
2	YLJ08-PEACH-SHAPE-RING	22	YLP08-WATER-SEAL-SUPPORT-NEW-2
3	YLY08-GEAR-BOX-22-ASSY	23	PISTON-SEAL-20-12-5
4	76-DEGREEM08-WOBBLE-DISC	24	YLP11-U-PIN
5	SPRING-WASHER-D8	25	YLP0850-PISTON-GUIDER
6	bolt M8X20	26	YLPT-FD-BYPASS-VALVE-17-ASSY
7	THRUST-BALL-BEARING-51107A	27	VENTURI-TUBE-READY-ASSY-19007
8	SCREW_5X25	28	YLQ10S-SUCTION-NIPPLE-ASSY
9	bolt M6X70	29	U-PIN2_6-24_5-13
10	SPRING-WASHER-D6	30	O-RING-70X2-70HS
11	SMALL-PLAIN-WASHER-D6	31	YLP08-PISTON-ASSY
12	YLP03-CHECK-VALVE-NUT-LV	32	YLP08-PISTON-SPRING
13	O-RING-12_5X1_8-80-85HS	33	O-RING
14	YLP03-OUTLET-CHECK-VALVE-ASSY	34	YLP01-CONE-SPRING-BASE
15	YLP0850-PUMP-03-ASSY	35	YLP08-CHIEF-VALVE-ASSY
16	YLP08-CYLINDER-HEAD-17001-ASSY	36	YLQ5740C-INLET-PIPE
17	screw M6X8	37	O-RING
18	YLP08-CYLINDER-HEAD-HC96	38	5740-QK-CONNECTOR-LANCE
19	Y-SEA RING	39	YLP08-MICROSW-BOX ASSY
20	YLP08-INLET-VALVE-ASSY		

ST-UK20191226