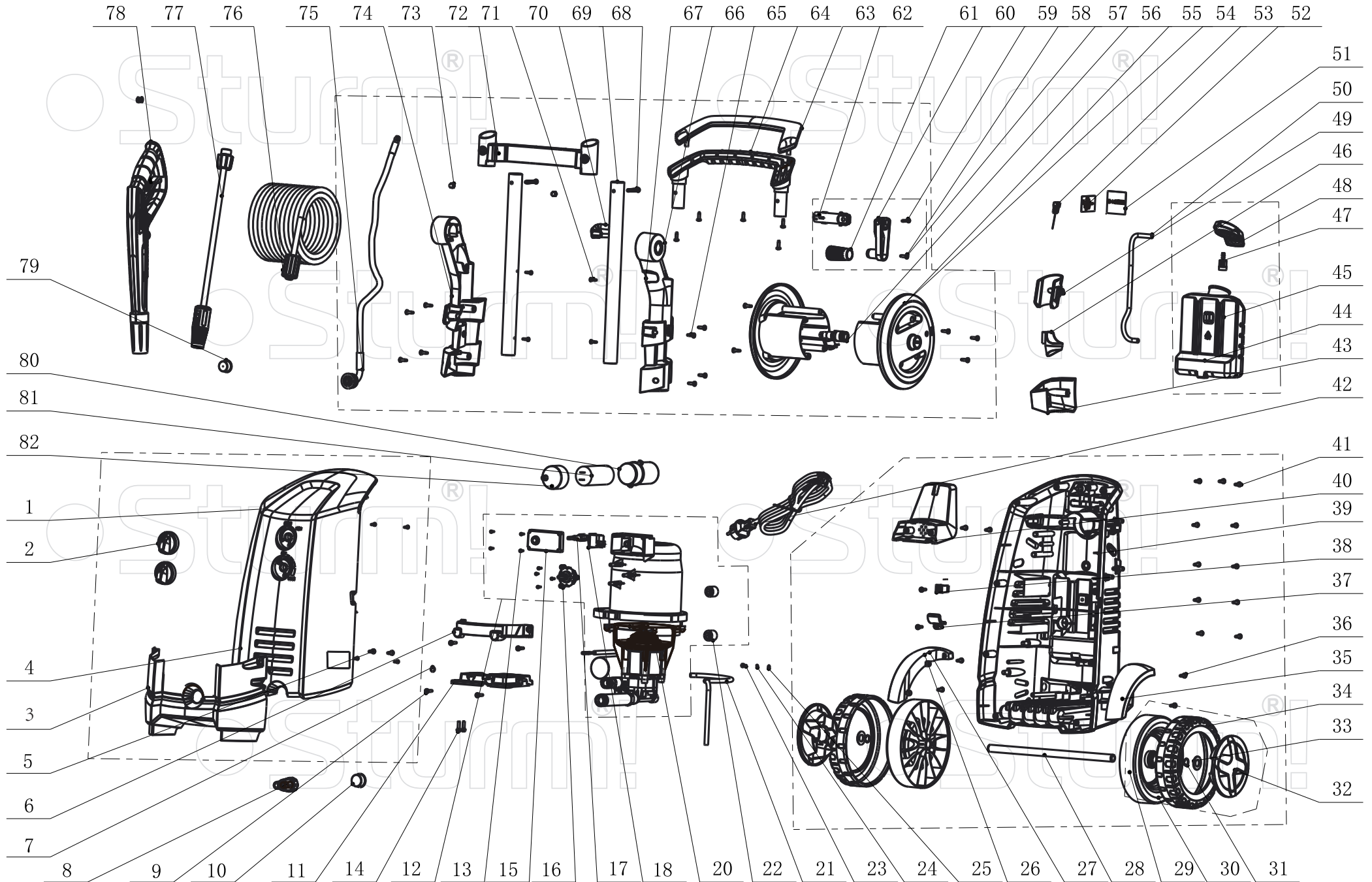


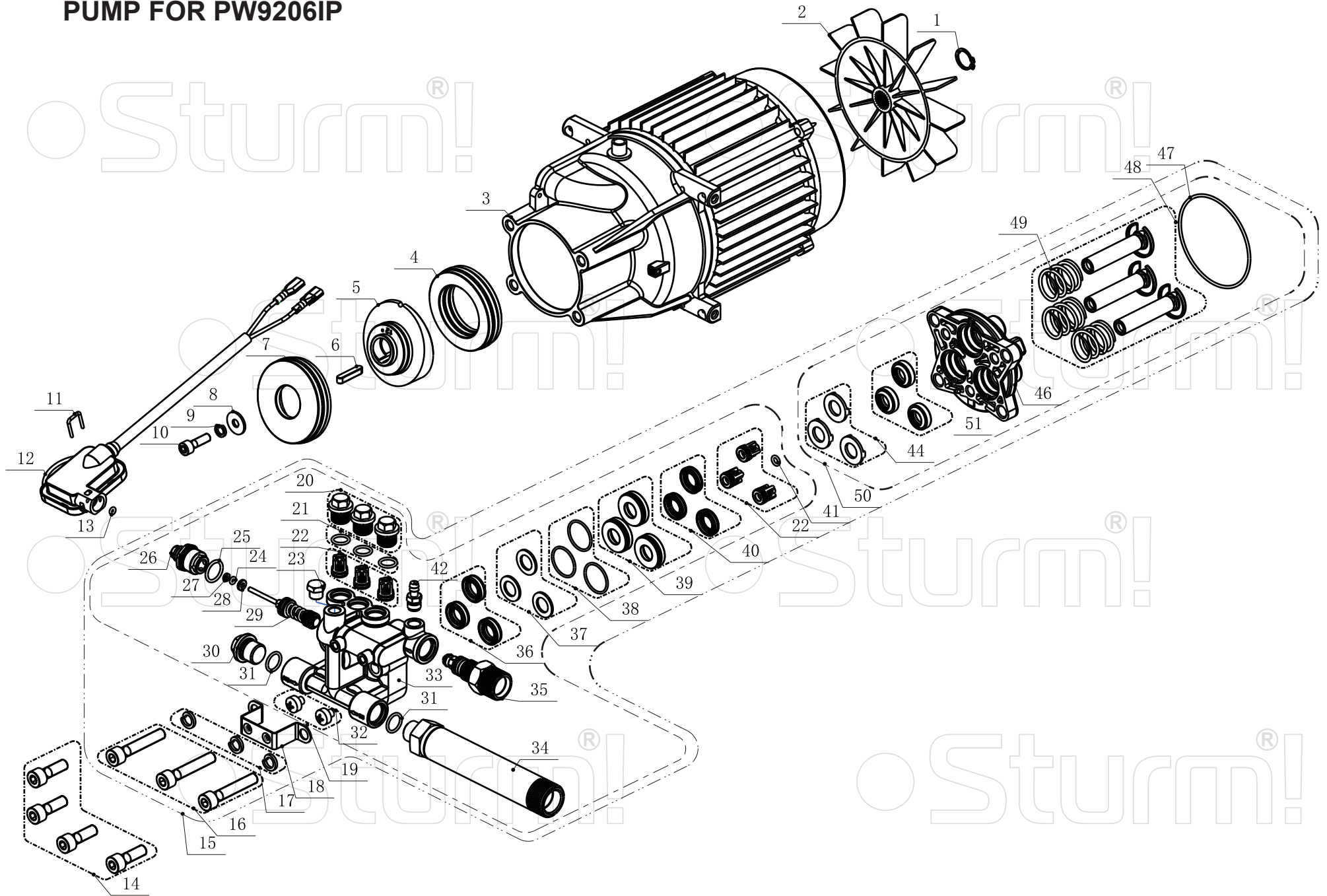
PW9206IP



PW9206IP

NO.	DESCRIPTION	NO.	DESCRIPTION
1	FRONT HOUSING ASS'Y	43	GUN STOCK
2	KNOB	44	DETERGENT TANK KIT
3	FRONT HOUSING BASE	45	DETERGENT TANK
4	FRONT HOUSING	46	HANGER
5	SCREW ST2.9*13	47	TANK SPIGOT + TANK PLUG
6	INDUCTANCE MOTOR BOARD	48	TANK COVER
7	O RING 20X2	49	GUN HOOK
8	INLET WATER NUT ASS'Y	50	SOFT TUBE A
9	SCREW ST2.9*8	51	RATING LABEL
10	WATER INLET COVER	52	WARNING LABEL
11	PUMP BASE	53	PIN
12	INDUCTION MOTOR KIT	54	HOSE REEL ASS'Y
13	SCREW	55	HOSE REEL
14	SCREW	56	2 WAY CONNECTOR ASS'Y
15	SWITCH COVER	57	ROLLING HANDLE ASS'Y
16	DETERGENT VALVE	58	SCREW ST3*12
17	SWITCH LEVER	59	SCREW ST2. 9*12
18	SWITCH	60	ROLLING HANDLE
20	FAN COVER	61	ROLLING HANDLE COVER
21	SOFT TUBE B	62	ROCKER
22	DAMPING RING	63	HANDLE COVER
23	SCREW	64	HANDLE BASE
24	SPRING WAHSER $\varnothing 4$	65	SCREW
25	LOCK WASHER $\varnothing 4$	66	HOSE REEL BRACKET ASS'Y
26	BACK HOUSING ASS'Y	67	RIGHT FRAME
27	LEFT WHEEL BRIM	68	BOLT
28	WHEEL AXLE	69	FIXED METAL TUBE
29	WHEEL ASS'Y	70	HP HOSE PLATEN
30	WHEEL	71	SCREW ST2. 3*13
31	EXTERNAL CIRCLIP	72	HANDLE CONNECTING
32	WHEEL COVER	73	NUT
33	FLAT WASHER	74	LEFT FRAME
34	RUBBER COATING FOR WHEELS	75	INNER HP HOSE
35	RIGHT WHEEL BRIM	76	HIGH PRESSURE HOSE ASS'Y
36	SCREW ST4.8*20	77	SPRAY LANCE YLG06
37	WATERPROOF BOARD	78	SPRAY GUN YLG06
38	TANK LOCK	79	OUTLET SCREW SHEATH
39	BACK HOUSING	80	CAPACITOR BOX
40	HOOK	81	CAPACITOR
41	SCREW ST4*14	82	CAPACITOR COVER
42	POWER CABLE & PLUG		

PUMP FOR PW9206IP



PUMP FOR PW9206IP

NO.	DESCRIPTION	NO.	DESCRIPTION
1	RETAINER RING	27	YLP1610-SPLIT-WASHER
2	YLM01-FAN	28	YLP1610-GASKET
3	YLM18E-1811-CU-MOTOR	29	YLP16-BYPASS-VALVE-ASSY
4	THRUST-BEARING40X42X64X14	30	YLP16-PLUG-M16
5	YLP1510-WOBBLE-PLATE-12	31	O-RING
6	FLAT KEY 5X5X25	32	SCREW M6X6
7	THRUST-BEARING40X25X64X14	33	YLP16-PUMP-HEAD-CU
8	WASHER	34	YLP1510-INLET-TUBE-140
9	SPRING-WASHER	35	YLP1500-OUTLET-TUBE-ASSY-25X15
10	BOLT M6X20	36	YLP15-WATER-SEALING-MAIN
11	U-PIN-14X17X2	37	YLP15-SEALING-STOP-RING
12	YLP1610-MICRO-SWITCH-ASSY	38	O-RING
13	O-RING	39	YLP15-WATER-SEALING-SUPPORT
14	BOLT M8X25	40	YLP15-WATER-SEALING-VICE
15	YLP1610-PUMP-704-ASSY	41	O-RING
16	BOLT M8X45	42	YLQ10S-SUCTION-NIPPLE-ASSY
17	SPRING-WASHER	43	YLP15-PISTON-GUIDER-ASSY
18	YLP1510-BRACKET	44	YLP15-OIL-SEALING-BRACKET
19	YLP1631A-PUMP-HEAD-ASSY	45	YLP15-OIL_SEALING_12X20X5
20	YLP15-VALVE-PLUG-AL	46	YLP15-PISTON-GUIDER
21	O-RING	47	O-RING
22	YLP1500Z-CHECK-VALVE-ASSY	48	YLP15-PISTON-ASSY
23	YLP15-PLUG-B	49	YLP15-PISTON-SPRING
24	O-RING	50	PUMP BODY ASSY
25	O-RING	51	PISTON-SEAL
26	YLP1610-BYPASS-VALVE-PLUG		

ST-UK20191226