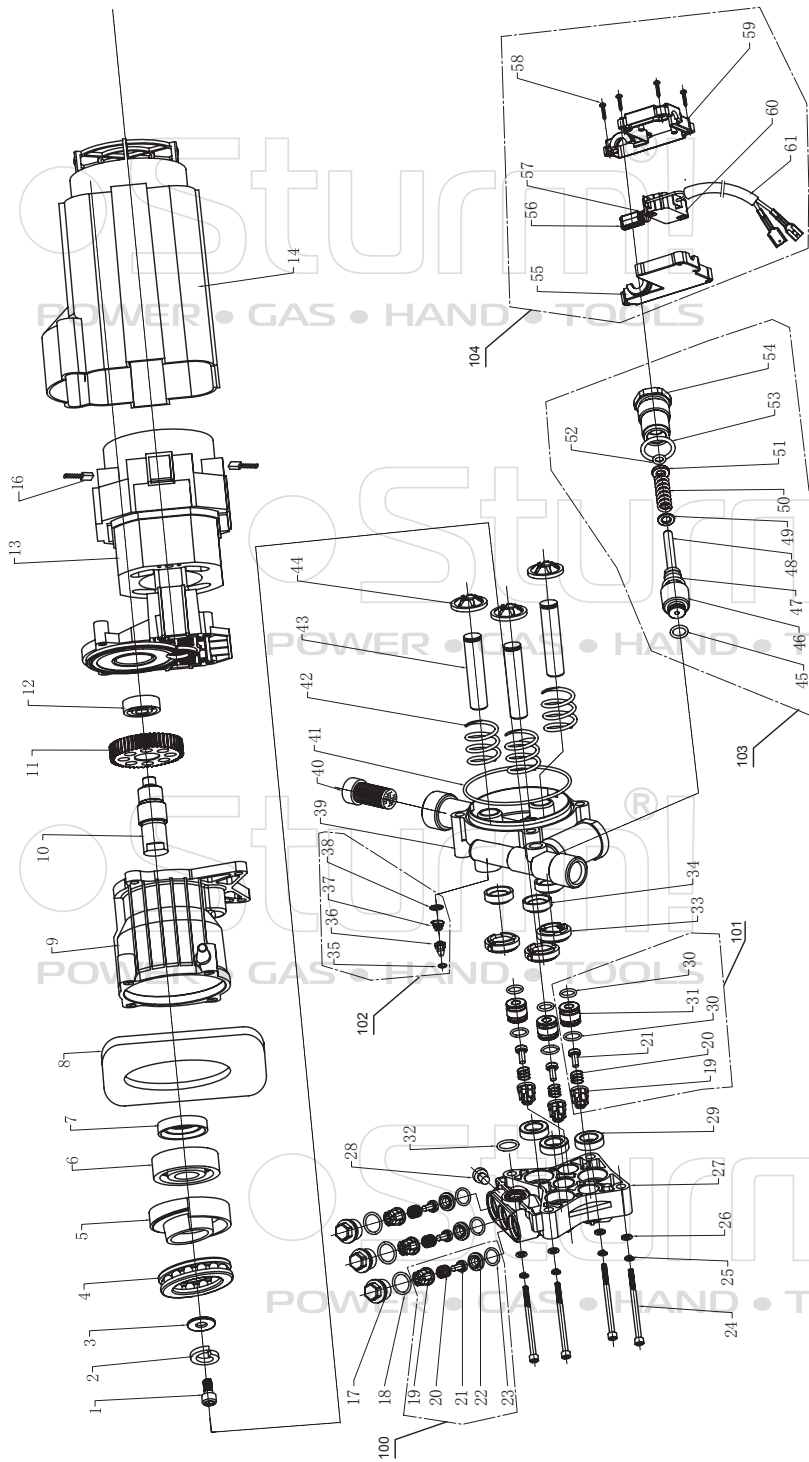


## PW9223

NO.	DESCRIPTION	NO.	DESCRIPTION
1	DAMPING RING	27	WATER INLET COVER
2	MOTOR&PUMP ASSEMBLY	28	WATER OUTLET COVER
3	HIGH PRSSURE GUN HOOK	29	SWITCH KNOB
4	DETERGENT TUBE	30	SEAL RING
5	ANTI-WATER BOARD	31	SWITCH BOX
6	WARNING LABEL	32	O-RING
7	CABLE HOOK	33	SWITCH POLE
8	SCREW	34	INDICATOR
9	ACCESSORY HOLDER	35	SWITCH
10	REAR HOUSING	36	CAPACITOR
11	HIGH PRESSURE GUN HOLDER	37	SWITCH BOX COVER
12	LABEL	38	SWITCH KNOB COVER
13	DETERGENT BOTTLE COVER	39	LEFT COVER
14	DETERGENT BOTTLE	40	RIGHT COVER
15	WHEEL	41	FRONT HOUSING
16	WHEEL COVER	42	HANDLE
17	CABLE	43	SCREW
18	SCREW	45	TURBO LANCE
19	CABLE CLAMP	46	HIGHT/LOW LANCE
20	CABLE SLEEVE	47	SPRAY GUN
21	DETERGENT FILTER	48	HIGH PRESSURE HOSE REEL
22	DETERGENT FILTER COVER	49	HIGH PRESSURE HOSE
23	WATERPROOF BOARD	50	HANDLE LINK
24	DOWN HOUSING	51	HANDLE FRAMEWORK
25	SCREW	52	HANDLE
26	WATER INLET SCREW		

ST20140710



## PUMP FOR PW9223

NO.	DESCRIPTION	NO.	DESCRIPTION
1	SCREW	35	O RING
2	SPRING WASHER	36	MAIN VALVE CORE
3	FLAT WASHER	37	TOWER SPRING
4	THRUST BALL BEARING	38	SPRING BASE
5	WOBBLE DISC	39	PUMP BODY
6	BEARING 6303Z	40	WATER INLET FILTER
7	OIL SEALING	41	O RING
8	FRONT MOTOR FILTER	42	PISTON SPRING
9	OIL TANK	43	PISTON
10	GEAT SHAFT	44	SPRING CHUCK
11	GEAR	45	O RING
12	BEARING 629Z	46	VALVE COVER
13	MOTOR	47	O RING
14	MOTOR COVER	48	VAVLE CORE
16	CARBON BRUSH	49	STOP RING
17	VALVE NUT	50	SPRING
18	O RING	51	BRASS WASHER
19	VALVE SUPPORT	52	O RING
20	VALVE SPRING	53	O RING
21	VALVE CORE	54	SCREW NUT
22	VALVE BASE	55	MICRO SWITCH LOW COVER
23	O RING	56	MICRO SWITCH NOB
24	SCREW	57	SPRING
25	SPRING WASHER	58	SCREW
26	FLAT WASHER	59	MICRO SWITCH UP COVER
27	PUMP HEAD	60	MICRO SWITCH
28	SCREW	61	MICRO SWITCH CORD
29	Y RING	100	OUTLET ONE WAY VALVE
30	O RING	101	INLET ONE WAY VALVE
31	INLET VALVE BASE	102	MAIN ONE WAY VALVE
32	O RING	103	OVER FLOW VALVE
33	SEALING SUPPORT	104	MICRO SWITCH ASSEMBLY
34	PISTON OIL SEALING		

ST20140710