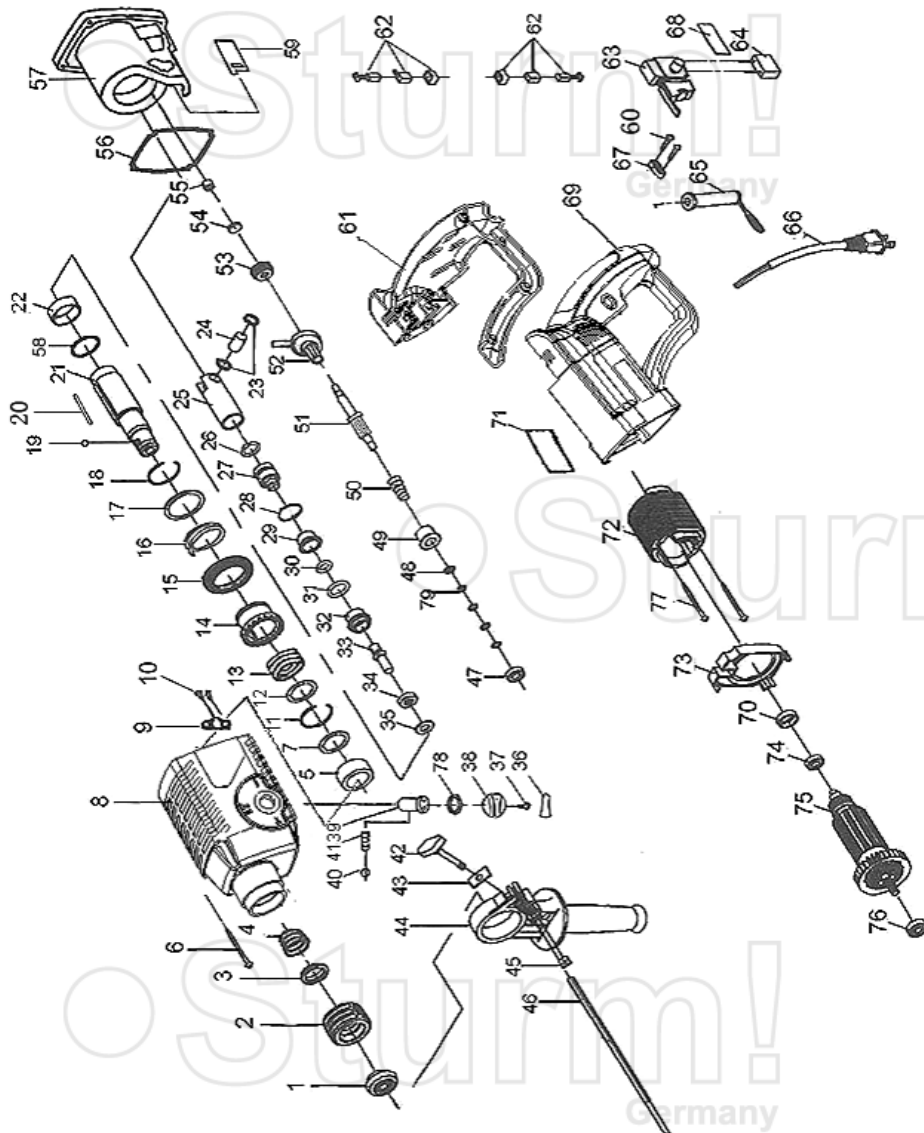


RH2511E



NO.	DESCRIPTION	NO.	DESCRIPTION
1	FIXED COVER	41	POSITION SPRING
2	COVER	42	CLAMP KNOB
3	SPRING HOLDER	43	PRESS BLOCK
4	TOWER REED	44	ASSISTANT HANDLE
5	NEEDLE BEARING	45	SQUARE NUT
6	TAPPING SCREW ST4.2X65	46	DEEPTH RULER
7	WASHER	47	BEARING 606
8	FRONT HOUSING	48	CLUTCH RING
9	BRAKE BOARD	49	CLUTCH PIECES
10	TAPPING SCREW ST4.2X8	50	CLUTCH SPRING
11	STEEL WIRE RING Ø31	51	TRANSFER SHAFT
12	RING	52	BALANCE BEARING
13	SPRING	53	SMALL GEAR
14	SHAFT SLEEVE	54	PIN SEALING AXK0817TN
15	SLIDE GEAR	55	PIN SEALING HK0808
16	PRESS SPRING	56	SEALING RING
17	RING	57	SHOCK SHAFT FIXED HOLDER
18	STEEL WIRE RING Ø37	58	CHIP WASHER
19	STEEL BALL Ø7	59	SLIDE BOARD
20	PIN P3X23.8	60	TAPPING SCREW ST4.2X19
21	SHOCK SHAFT	61	HANDLE COVER
22	OIL BEARING	62	CARBON BRUSH ASSEMBLY
23	CYLINDER PIN WASHER	63	SWITCH
24	CYLINDER PIN	64	CAPACITOR
25	CYLINDER	65	CORD SLEEVE
26	"O" RING 16	66	MAINS CORD
27	STRIKE HAMMER	67	CABLE CLAMP
28	STEEL WIRE RING	68	NAME PLATE
29	FIXED SLEEVE	69	BACK HOUSING
30	"O" RING 11X3.55	70	BEARING SLEEVE
31	"O" RING 18X3.55	71	LABEL
32	POSITION SLEEVE	72	STATOR
33	HAMMER PILLAR	73	SIND BOARD
34	POSITION BLOCK	74	BEARING 607
35	BUFFER WASHER	75	ARMATURE
36	KNOB COVER	76	BEARING 609
37	TAPPING SCREW ST4.2X16	77	TAPPING SCREW ST4.2X65
38	KNOB	78	SEALING RING 11X1.5
39	REVERSE KNOB	79	BELLEVILLE SPRING
40	STEEL BALL Ø5		

RU5102101