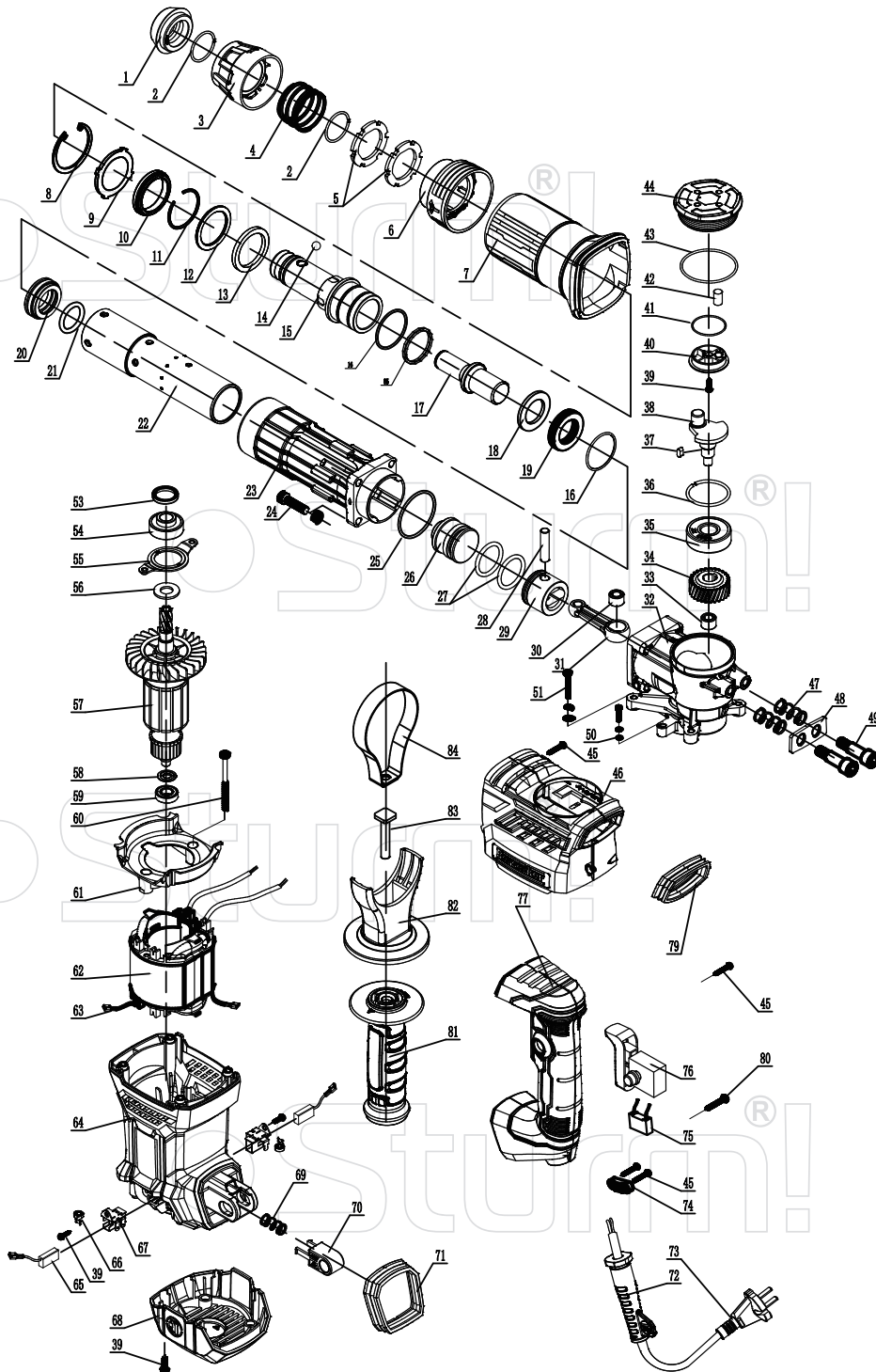


RH2515PM



NO.	DESCRIPTION	NO.	DESCRIPTION
1	rubber head	43	o-ring 51.3*2
2	External retaining ring 27.5*2	44	oil cap
3	Steel Frame	45	screw ST3.9*16
4	Spring $\Phi 35 \times \Phi 2 \times 4 \times 45$	46	gear cover
5	Angle regulating board	47	spring $10.5 \times 1.3 \times 5 \times 26$
6	Angle regulating sleeve	48	Shock absorber
7	Plastic Straight	49	screw M8*35
8	ring-45	50	screw M5*16
9	Damping gasket	51	screw ST4.8*27
10	Buffer ring 34.2*44.8*8	53	oil seal 14.7*25*4.5
11	ring 48*2.5	54	bearing 6201
12	washer 34.5*44.8*2	55	bearing board
13	Cushion	56	washer 24*12*1.5
14	steel ball 7.94	57	rotor
15	teleflex	58	washer 8.1*21*0.5
16	o-ring 35*2	59	bearing 608
17	impact hammer	60	screw ST4.8*65
18	washer 23.5*39.5*6	61	fan guide
19	Buffer ring 23.5*39.2*6	62	stator
20	Hammer positioning seat	63	insert piece 4.8
21	o-ring 24*4.1	64	housing
22	Cylinder	65	carbon brush
23	Cylinder case	66	plate spring
24	screw M6*30	67	brush holder
25	o-ring 48*2	68	back cover
26	Hammer $\phi 35 \times \phi 22 \times 35$	69	spring $10 \times 1.3 \times 5.5 \times 25$
27	o-ring 28.4*3.5	70	Connecting seat
28	pin 8*34	71	Damping sleeve B
29	piston	72	cable sleeve
30	needle bearing HK1210	73	cable
31	rob	74	cable board
32	gear house	75	Capacitance
33	needle bearing HK081410	76	switch
34	gear	77	handle
35	bearing 6302-2RS	79	Damping sleeve A
36	ring 45*2	80	screw ST4.8*35
37	Flat key 4*4*8	81	Auxiliary Handle
38	Crankshaft	82	bracket
39	screw ST3.9*12	83	screw M8*38
40	vent caps	84	Hoop
41	o-ring 28.4*3.5	85	X-ring 37.8*1.5
42	wool column7*15		

UK-ST20210616