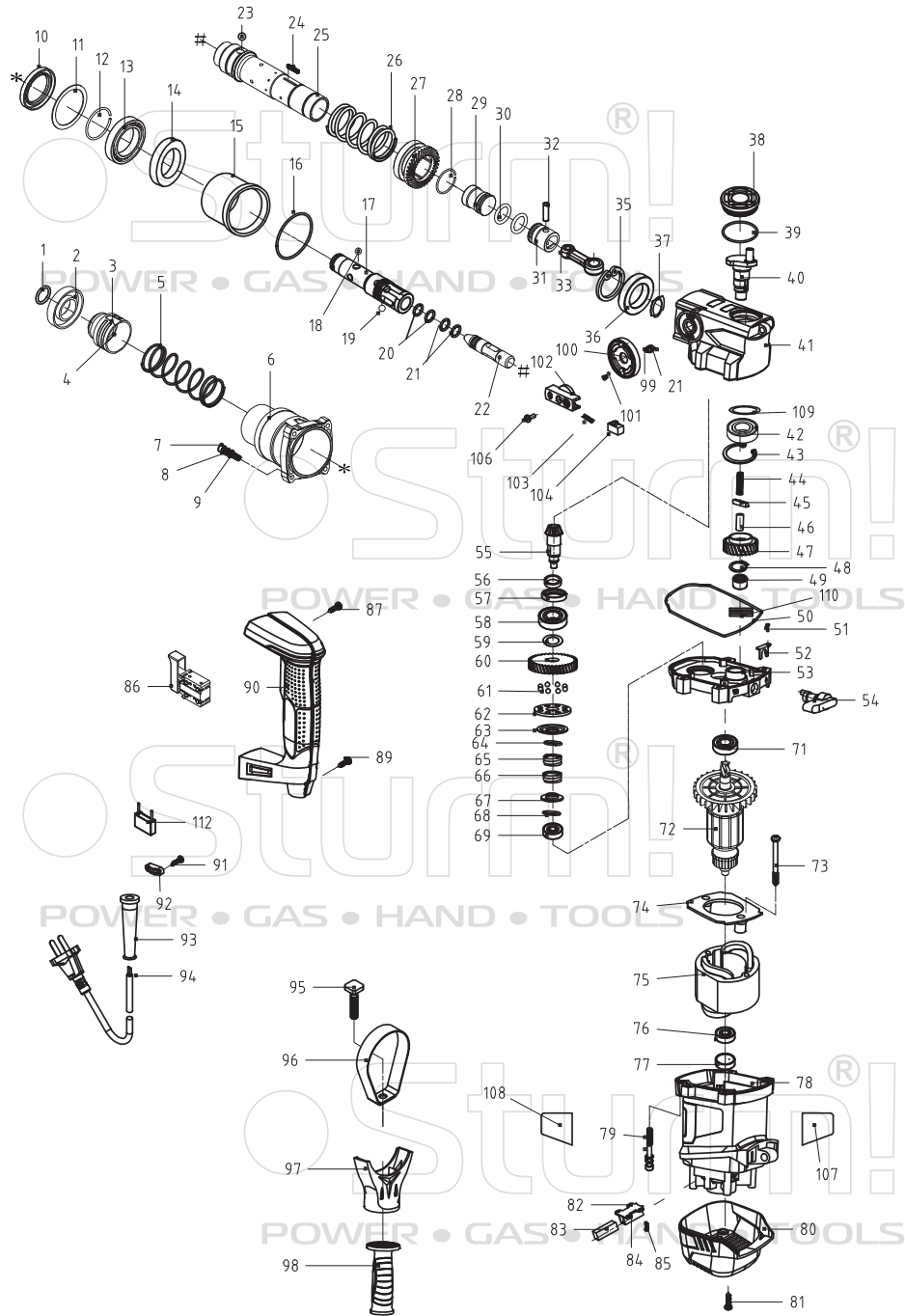


RH25280V



NO.	DESCRIPTION	NO.	DESCRIPTION
1	retaining ring 18*2	56	swasher 5
2	front cap	57	Seal ring
3	collar assembly	58	bearing 6002
4	collar assembly	59	thin washer 20*14*0.5
5	spring	60	gear 39
6	spindle sleeve	61	steel ball 5
7	screw	62	Releasing fixed palte
8	spring washer 5	63	Releasing protable palte
9	flat washer 5	64	External retaining ring 12.5*1
10	seal ring 51*35*6	65	Releasing internal spring
11	big washer 45*54.5*1	66	Releasing external spring
12	retaining ring 31.5*2	67	Spring seat
13	bearing 61907	68	Spring retainer ring 8.8*1
14	rubber sleeve	69	Bearing 627
15	plastic sleeve	71	Bearing 6001
16	O ring 55*3	72	Armature
17	spindle sleeve	73	Screw ST 5*65
18	steel ball 7.14	74	Baffle
19	steel ball 7.5	75	Stator
20	O ring 22*2	76	Bearing 608
21	O ring 11*2	77	bearing sleeve
22	striker	78	motor housing
23	steel ball 7.938	79	Screw M5x45
24	flate key 3*3*18	80	Rear cover
25	cylinder	81	Srew ST 4*20
26	big spring 40.5*3.5*76	82	brush holder
27	clutch gear	83	carbon brush
28	retaining ring 28*1.8	84	Brush spring
29	hammer	85	Srew ST 3*14
30	O ring 20X3.1	86	Switch
31	piston	87	Screw ST 4.2*20
32	piston 6*24.6	89	Screw ST 4.2X14
33	Joint lever	90	Handle
34	N/A	91	Screw ST 4.2X16
35	retaining ring 47	92	Cable pressplate
36	oil bearing	93	Cable Sheath
37	washer	94	Power cord
38	oil seal cover	95	Square Bolt M8X25
39	O ring 37.5*2	96	HOOP Block
40	eccentric shaft	97	supporting bracket
41	gearcase	98	Auxiliary handle
42	bearing 6003	99	Knob
43	retaining ring 35	100	Knob seat
44	spring 5.6*32*1.2	101	screw M4x10
45	flate key 4.8*4.8*22	102	Knob Pin
46	clutch pin	103	Spring
47	gear 27	104	Release Button
48	retaining ring 17	106	screw M4x15
49	needle bearing HK1210	107	Logo lable
50	seal ring	108	Nameplate
51	screw M4*10	109	washer 29*34*1
52	male tab	110	Supporting sleeve
53	diaphragm	112	capacitor
54	knob		
55	bevel gear		