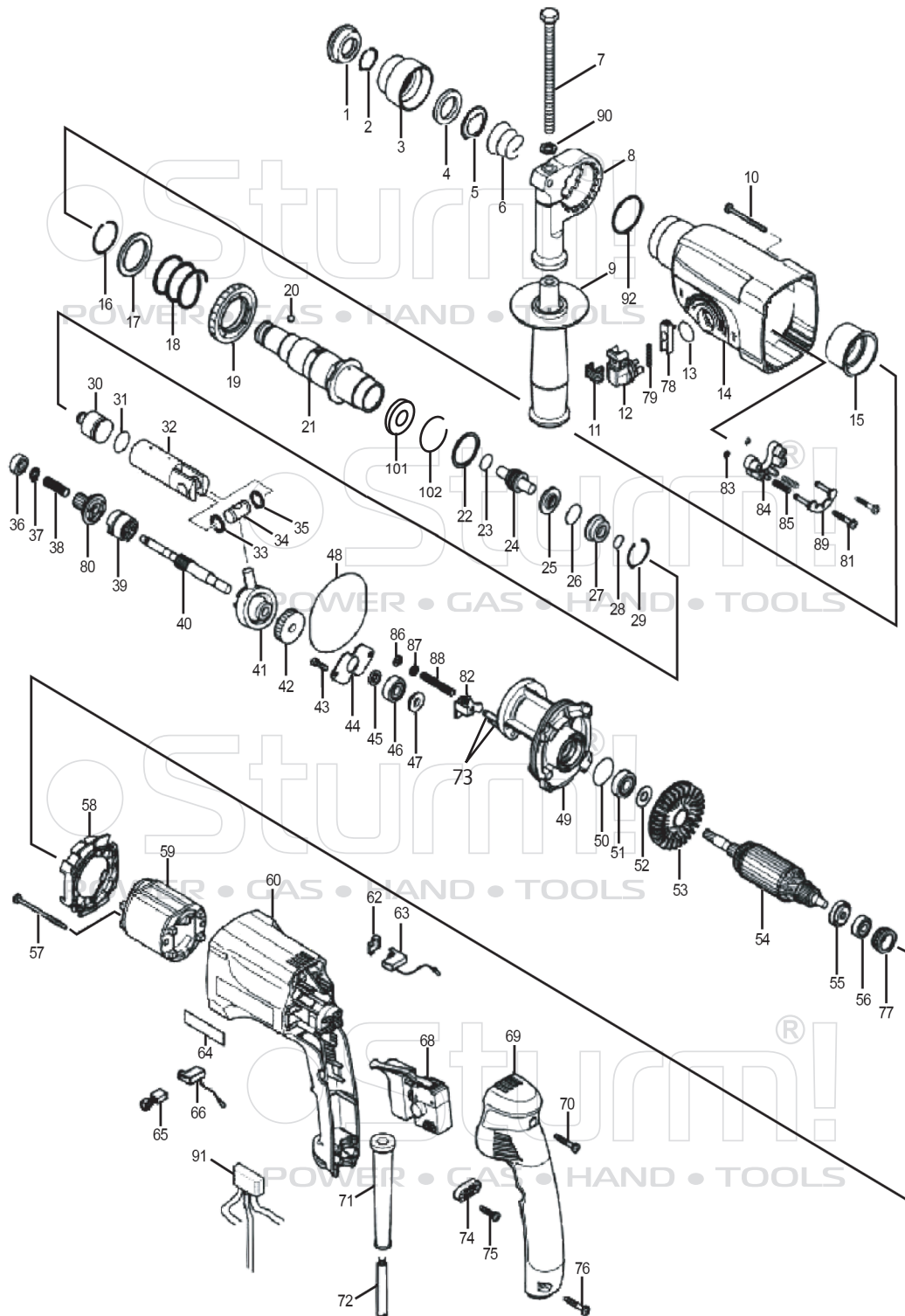


RH2591P



NO.	DESCRIPTION	NO.	DESCRIPTION
1	CAP	47	RING
2	RING SPRING	48	O RING
3	CHUCK COVER	49	INNER HOUSING COMPLETE
4	RING	50	O RING
5	GUIDE WASHER	51	BALL BEARING
6	CONICAL COMP. SPRING	52	FLAT WASHER
7	HEX. BOLT	53	FAN
8	GRIP BASE	54	ARMATURE ASSY
9	HANDLE	55	INSULATION WASHER
10	TAPPING SCREW	56	BALL BEARING
11	CAP	57	TAPPING SCREW
12	CHANGE LEVER COMPLETE	58	BAFFLE PLATE
13	O RING	59	STATOR
14	GEAR HOUSING SET	60	MOTOR HOUSING
15	NEEDLE BEARING COMPLETE	62	SPACER
16	RING SPRING	63	BRUSH HOLDER
17	WASHER	64	LABEL
18	COMPRESSION SPRING	65	CARBON BRUSH
19	SPUR GEAR	66	CORD SLEEVE
20	STEEL BALL	68	SWITCH
21	TOOL HOLDER COMPLETE	69	HANDLE COVER COMPLETE
22	FLAT WASHER	70	TAPPING SCREW
23	O RING	71	CORD GUARD
24	IMPACT BOLT	72	POWER SUPPLY CORD
25	RING	73	PIN Ø5X30.8MM
26	O RING	74	STRAIN RELIEF
27	O RING CASE	75	TAPPING SCREW
28	O RING	76	TAPPING SCREW
29	RING SPRING	77	RUBBER RING
30	STRIKER	78	LOCK BUTTON
31	O RING	79	COMPRESSION SPRING
32	PISTON CYLINDER	80	SPUR GEAR
33	FLAT WASHER	81	TAPPING SCREW
34	PSITON JOINT	82	CHANGE PLATE
35	FLAT WASHER	83	STOP RING
36	BALL BEARING	84	GUIDE BASE
37	RETAINING RING	85	COMPRESSION SPRING
38	COMPRESSION SPRING	86	STOP RING
39	CLUTCH CAM	87	FLAT WASHER
40	CAM SHAFT	88	COMPRESSION SPRING
41	SWASH BEARING	89	LOCK PLATE COMPLETE
42	HELICAL GEAR	90	HEX, WASHER
43	HEX. COCKET HEAD BOLT	91	CAPACITOR
44	BEARING RETAINER	92	SEAL RING
45	FLAT WASHER	101	LIMIT RING
46	BALL BEARING	102	CIRCLIP