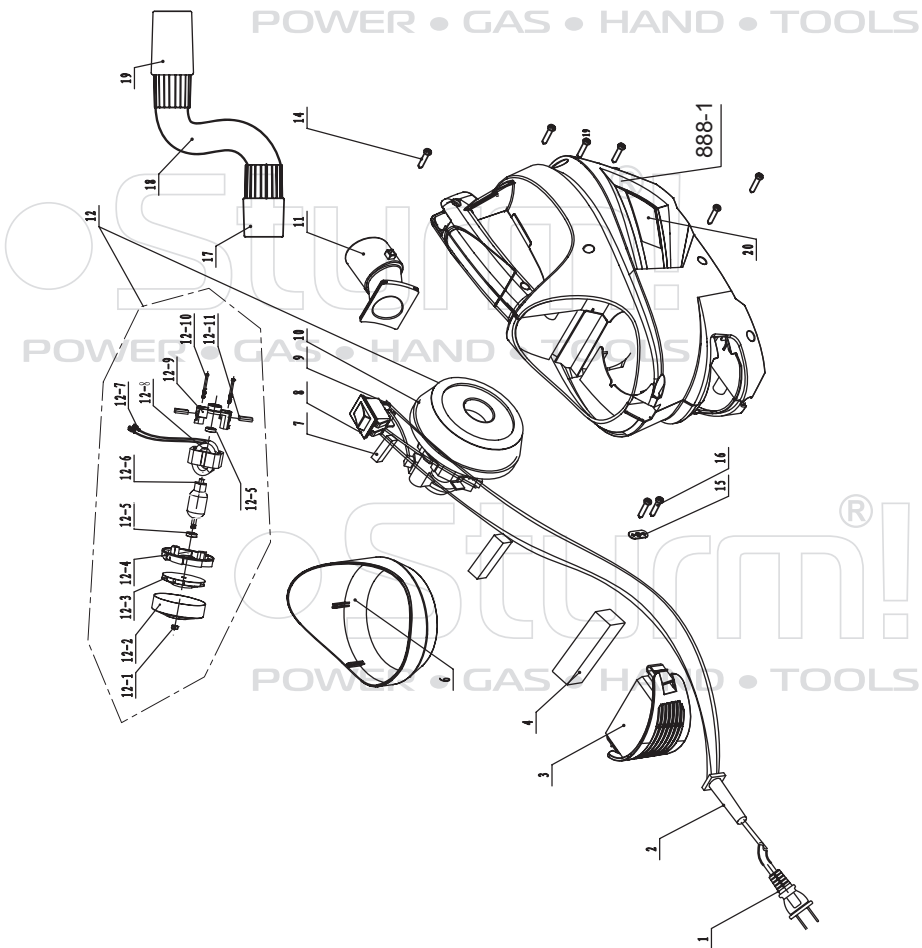


spray gun list for SG9645B

| NO. | DESCRIPTION | NO. | DESCRIPTION |
|-----|------------------|-----|----------------------------|
| 1 | 700ML CONTAINER | 13 | POTHOOK |
| 2 | SUCTION TUBE | 14 | HOLDER |
| 3 | CONTAINER SEAL | 15 | STOPPER |
| 4 | STYLE CONTROLLER | 16 | BACK INSERT |
| 5 | FIX NUT | 17 | ADJUST KNOB |
| 6 | STYLE CHANGER | 19 | FRONT INSERT |
| 7 | FIX NOZZLE | 20 | TRIGGER |
| 8 | MANDRILL | 21 | DOWEL |
| 9 | MANDRILL O RING | 22 | NAMEPLATE |
| 10 | RESET SPRING | 888 | SPRAY GUN HOUSING ASSEMBLY |
| 11 | SCREW ST4X16 | | |



motor list for SG9645B

| NO. | DESCRIPTION | NO. | DESCRIPTION |
|------|-------------------------|-------|------------------------|
| 1 | POWER CABLE WITH PLUG | 12-5 | BEARING 697Z |
| 2 | CORD SLEEVE | 12-6 | ROTOR |
| 3 | REAR COVER | 12-7 | INSERT PIECE |
| 4 | FILTER | 12-8 | STATOR |
| 6 | PAINT RESERVOIR HOLDER | 12-9 | CARBON BRUSH HOLDER |
| 7 | CAPACITANCE 0.22UF | 12-10 | SCREW |
| 8 | SWITCH | 12-11 | CARBON BRUSH |
| 9 | SPRING ANCHOR | 14 | SCREW ST4X16 |
| 10 | MOTOR SEALING RING | 15 | CORD CLAMP |
| 11 | AIR FLOW PIPE CONNECTOR | 16 | SCREW ST2.9X14 |
| 12 | MOTOR ASSEMBLY | 17 | SHORT TUBE CONNECTOR |
| 12-1 | NUT | 18 | AIR HOSE |
| 12-2 | PROTECT COVER | 19 | LONG TUBE CONNECTOR |
| 12-3 | FAN | 20 | NAMEPLATE |
| 12-4 | GUIDE COVER | 888-1 | MOTOR HOUSING ASSEMBLY |