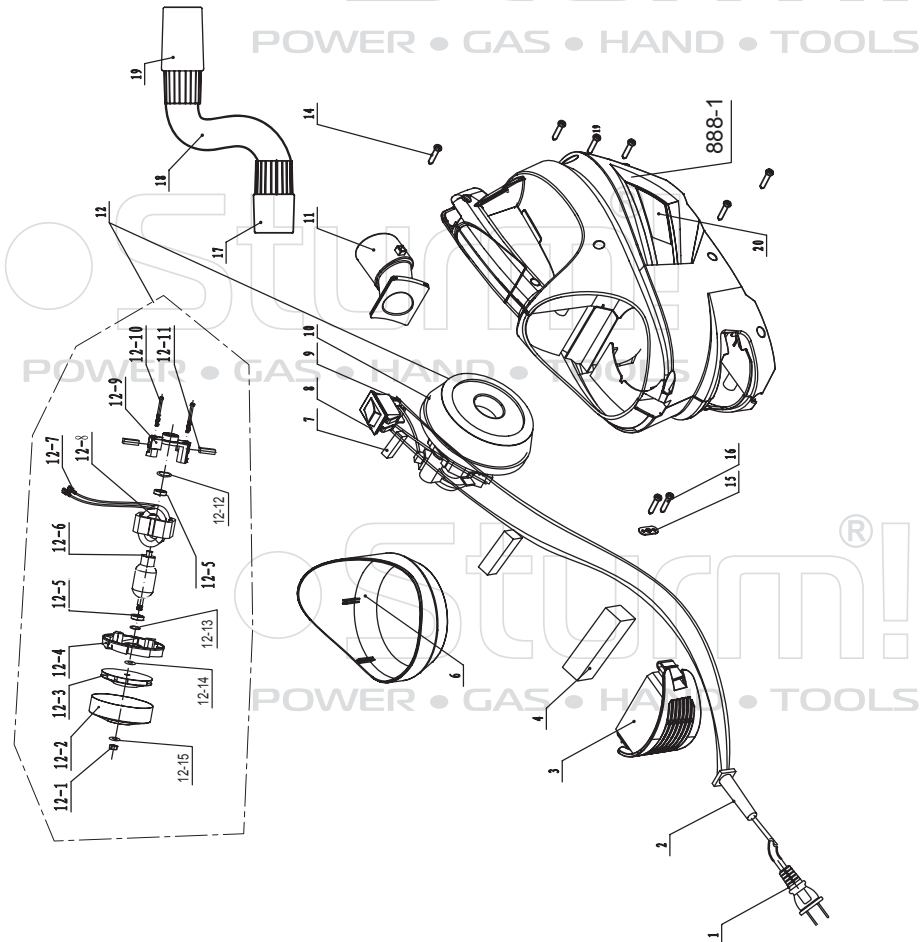


### spray gun list for SG9645B

NO.	DESCRIPTION	NO.	DESCRIPTION
1	700ML CONTAINER	13	POTHOOK
2	SUCTION TUBE	14	HOLDER
3	CONTAINER SEAL	15	STOPPER
4	STYLE CONTROLLER	16	BACK INSERT
5	FIX NUT	17	ADJUST KNOB
6	STYLE CHANGER	19	FRONT INSERT
7	FIX NOZZLE	20	TRIGGER
8	MANDRILL	21	DOWEL
9	MANDRILL O RING	22	NAMEPLATE
10	RESET SPRING	888	SPRAY GUN HOUSING ASSEMBLY
11	SCREW ST4X16		



### motor list for SG9645B

NO.	DESCRIPTION	NO.	DESCRIPTION
1	POWER CABLE WITH PLUG	12-7	INSERT PIECE
2	CORD SLEEVE	12-8	STATOR
3	REAR COVER	12-9	CARBON BRUSH HOLDER
4	FILTER	12-10	SCREW
6	PAINT RESERVOIR HOLDER	12-11	CARBON BRUSH
7	CAPACITANCE 0.22UF	12-12	SPRING WASHER
8	SWITCH	12-13	BUSH
9	SPRING ANCHOR	12-14	WASHER
10	MOTOR SEALING RING	12-15	WASHER
11	AIR FLOW PIPE CONNECTOR	14	SCREW ST4X16
12	MOTOR ASSEMBLY	15	CORD CLAMP
12-1	NUT	16	SCREW ST2.9X14
12-2	PROTECT COVER	17	SHORT TUBE CONNECTOR
12-3	FAN	18	AIR HOSE
12-4	GUIDE COVER	19	LONG TUBE CONNECTOR
12-5	BEARING 697Z	20	NAMEPLATE
12-6	ROTOR	888-1	MOTOR HOUSING ASSEMBLY