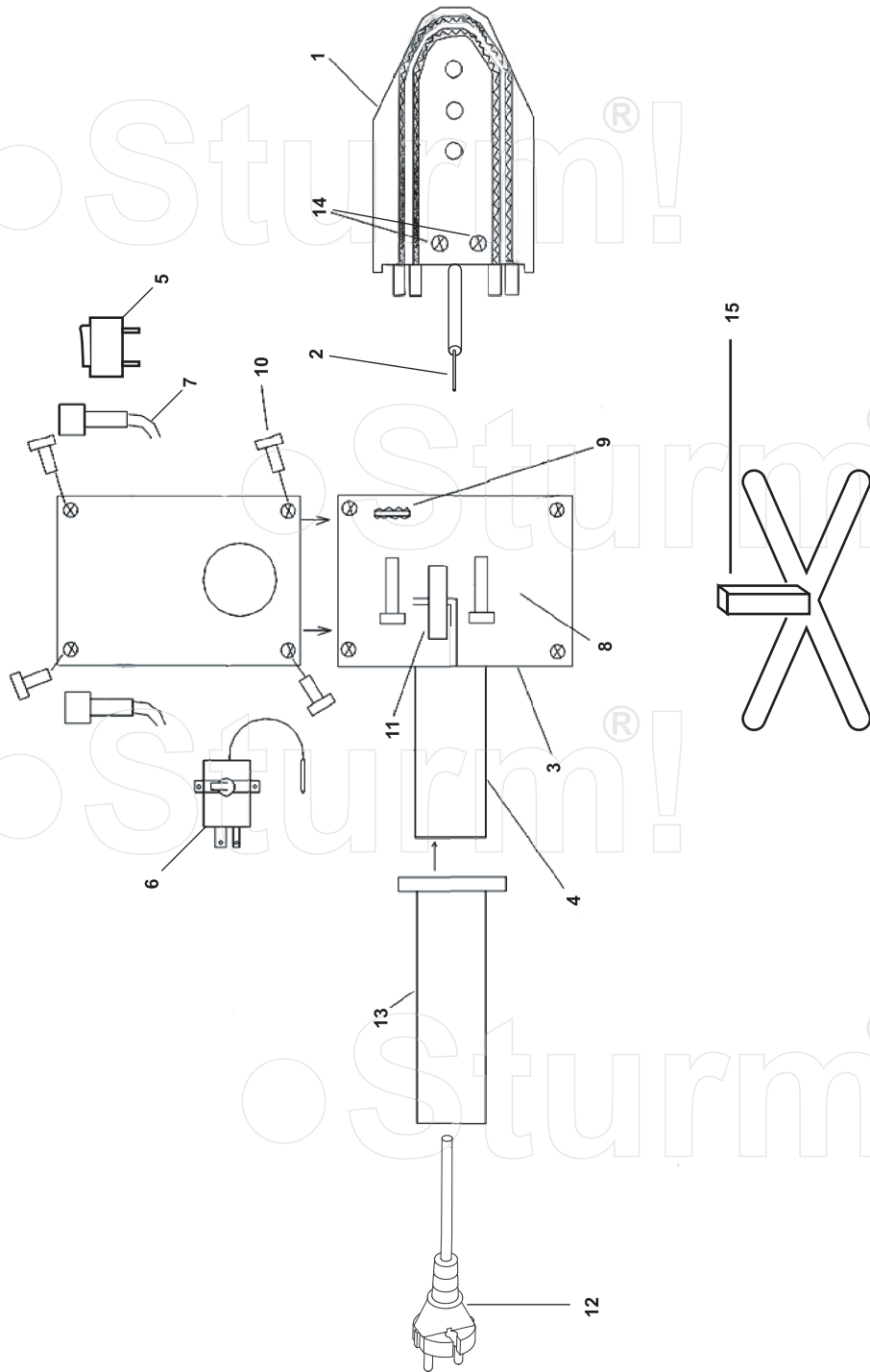


# TW7217



NO.	DESCRIPTION	NO.	DESCRIPTION
1	HEATING ELEMENT	9	TOOTHED LOCK WASHER
2	SELF-RESETTING THERMAL CUT-OUT	10	SCREW
3	CHASSIS	11	COTD ANCHORAGE
4	HANDLE	12	POWER CORD WITH PLUG
5	ON/OFF SWITCH	13	HANDLE SLEEVING
6	TEMPERATURE ADJUSTER	14	SCREW
7	INDICATOR	15	STAND
8	SCREW		

RU090707-1