

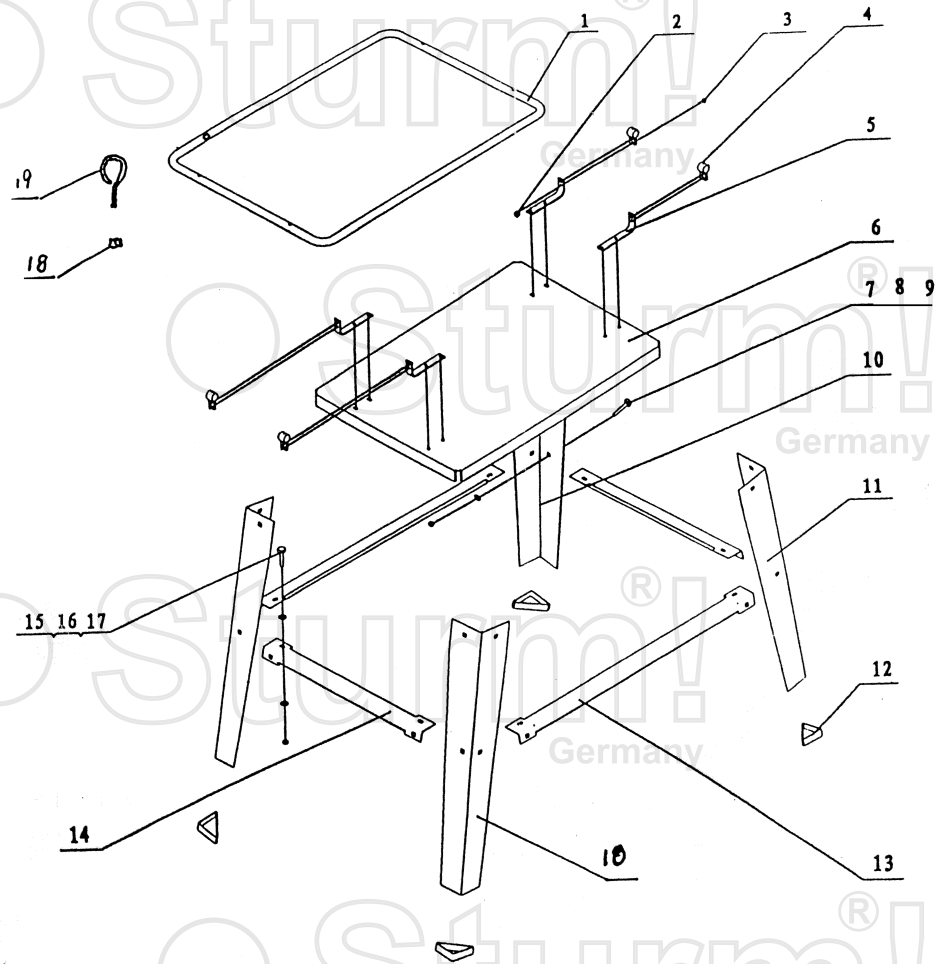
TC9818U

NO.	DESCRIPTION	NO.	DESCRIPTION
1	WATER TANK	39	BEARING 609ZZ
2	RIGHT TABLE	40	PREJUDICIAL ARBOR
3	LEFT TABLE	41	HANDLE
4	FRONT AND BACK SUPPORT BOARD	42	SCREW
5	FRONT AND BACK SCALE BOARD	43	MOTOR
6	SCREW	44	MOTOR COVER
7	HEXAGON SCREW	45	IN SCREW NUT
8	PLAIN WASHER	46	CONNECTOR FOR SCREW NUT
9	FRONT AND BACK SCALE BOARD	47	OUT SCREW NUT
10	POINTER	48	ANTI- KICK DEVICE
11	KNOB	49	RUBBER SEAL
12	BOLT FOR FLANGE	50	POWER BOX
13	HEXAGON BOLT	51	SWITCH
14	BASE FOR ANGLE RULER	52	PRESS CORD BOARD
15	SLIDING SCREW NUT	53	SEAL FOR POWER BOX
16	RIGHT FENCE	54	SCREW
17	SCALE PLATE	55	COVER FOR POWER BOX
18	PROTECTIVE-DUST COVER	56	SCREW
19	FIXING RING	57	SCREW
20	RUBBER WASHER	58	STICKER FOR GROUNDING
21	KNOB FOR ANGLE RULER	59	CAPACITOR
22	BOLT FOR FLANGE	60	CLIP FOR CAPACITOR
23	LEFT FENCE	61	SCREW
24	SCREW	62	SCREW
25	SAFE GUARD	63	TERMINAL
26	LEFT TURNING SCREW	64	PLUG
27	OUTSIDE FLANGE	65	BOLT
28	GUIDE	66	PLAIN WASHER
29	BLADE	67	PROTECTIVE-WATER BOARD
30	INSIDE FLANGE	68	PLAIN WASHER
31	FIXING SAFE GUARD	69	NYLON LOCKED-SCREW NUT
32	NYLON LOCKED SCREW NUT	70	SMALL ROUND-HEAD SCREW
33	PLAIN WASHER	71	CLIP FOR CORD
34	HEXAGON BOLT	72	PUMP
35	PLAIN WASHER	73	HEXAGON BOLT
36	SPRING WASHER	74	PLAIN WASHER
37	LIMITING LUMP	75	SPRING WASHER
38	PROTECTIVE-WASHER FOR ARBOR	76	

RU070830-1

Germany

TC9818U



NO.	DESCRIPTION	NO.	DESCRIPTION
1	WATER TANK BLOCK LINK	11	SUPPORT LEG LEFT
2	M5 NYLON LOCKED-SCREW NUT	12	LEG WASHER
3	M5X10 HEXAGON SCREW	13	LONG BRACE
4	POSITION CLIP	14	SHORT BRACE
5	CONNECTING BOARD	15	M5X15 HEXAGON SCREW
6	TABLE	16	Ø6 FLAT WASHER
7	M8X16 SQUARE NECK SCREW	17	M6 NYLON LOCKED-SCREW NUT
8	Ø 8 FLAT WASHER	18	M5 NUT
9	M8 NYLON LOCKED-SCREW	19	BLOCK LINK
10	SUPPORT LEG RIGHT		

RU070830-1