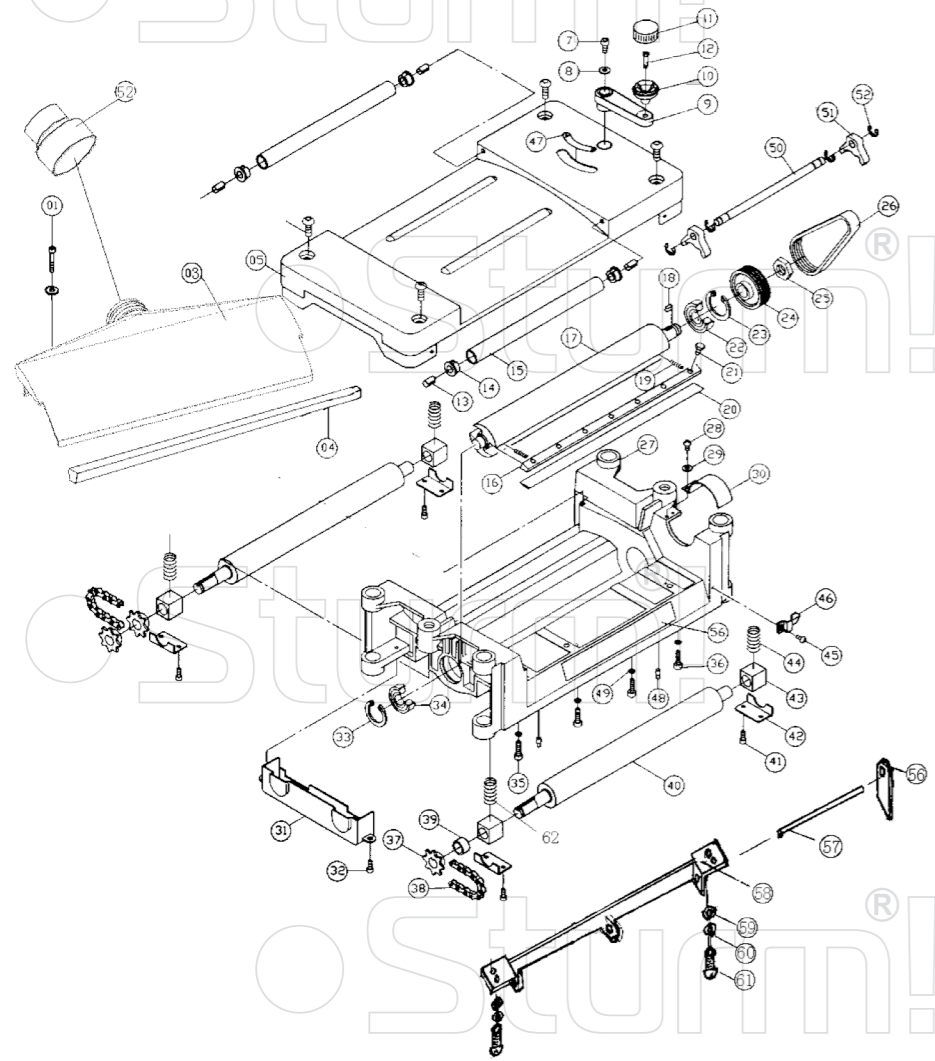
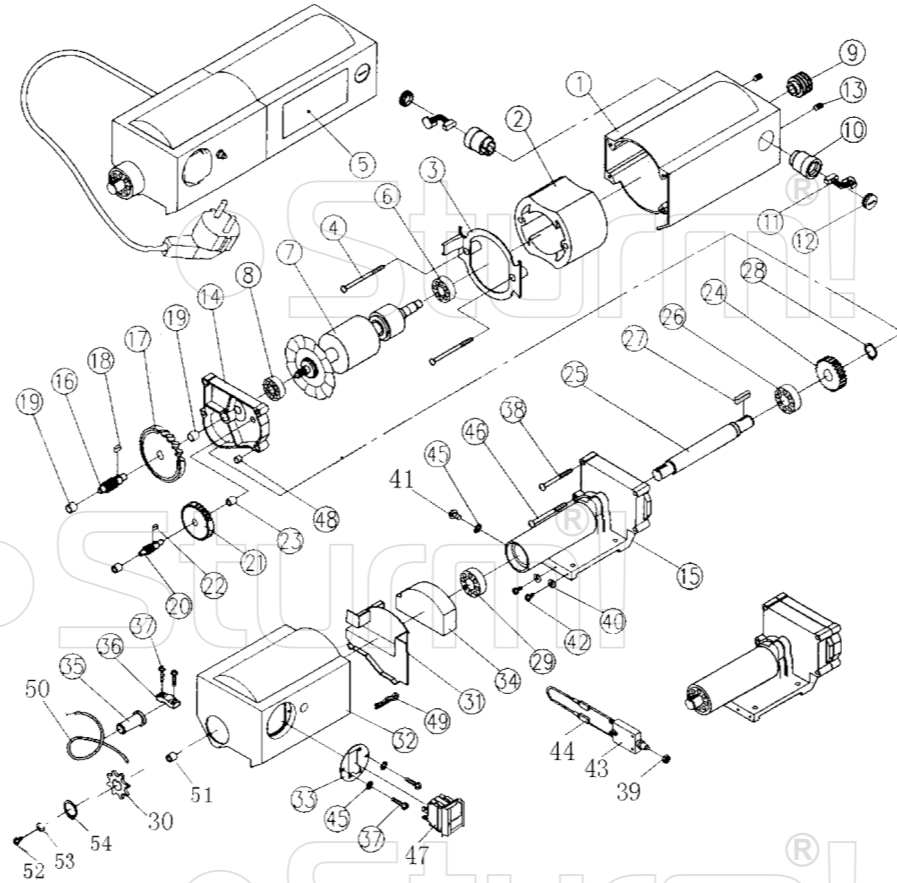


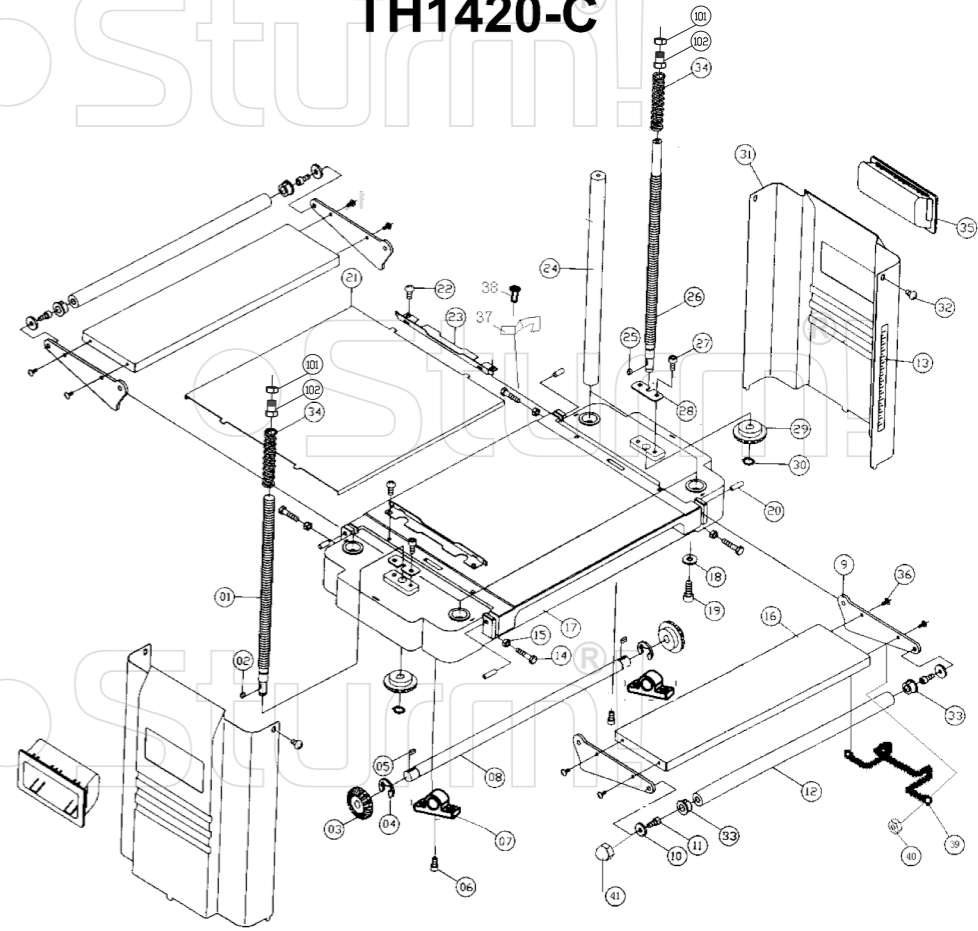
TH1420-A



TH1420-B



TH1420-C



TH1420-A

NO.	DESCRIPTION	NO.	DESCRIPTION
1	screw	32	screw
2	Flat washer	33	Circlip for hole
3	Dust guard	34	bearing
4	Sponge slat	35	screw
5	Upper frame	36	screw
6	screw	37	Chain wheel
7	screw	38	Cutting chain
8	Flat washer	39	bush
9	Handle rod	40	roller
10	Handle lower knob	41	screw
11	Handle upper knob	42	Presser for bearing
12	Screw for handle	43	Oiled bearing
13	pin	44	spring
14	plug	45	screw
15	tube	46	Indicator for cut in
16	Press plate for blade	47	Up-down sign
17	Barrel for balde	48	positioner
18	Key	49	Flat washer
19	spring	50	bar
20	blade	51	bracket
21	screw	52	circlip
22	bearing	53	screw
23	Circlip for hole	54	Spring washer
24	Driven wheel	55	Dust duct
25	nut	56	Stopping plate
26	belt	57	pin
27	housing	58	supporter
28	screw	59	Flat washer
29	Flat washer	60	Spring washer
30	Hobbling hoop	61	screw
31	Chain guard		

RU5101101

TH1420-B

NO.	DESCRIPTION	NO.	DESCRIPTION
1	HOUSING	28	CIRCLIP FOR SHAFT
2	STATOR	29	BEARING
3	WIND BAFFLE	30	CHAIN WHEEL
4	SCREW	31	DUST COVER
5	LABEL	32	SWITCH HOUSING
6	BEARING	33	SWITCH BASE
7	ROTOR	34	SPONGE PAD
8	BEARING	35	CORD SLEEVE
9	BELT WHEEL	36	CORD CLAMP
10	BRUSH HOLDER	37	TAPPING SCREW
11	CARBON BRUSH	38	TAPPING SCREW
12	BRUSH CAP	39	NUT
13	SCREW	40	FLAT WASHER
14	GEAR BOX COVER	41	SCREW
15	REDUCER	42	SCREW
16	SHAFT GEAR	43	CIRCUIT BRAKE
17	GEAR	44	INSERT
18	KEY	45	TOOTH WASHER
19	OILED BEARING	46	TAPPING SCREW
20	SHAFT GEAR	47	SWITCH
21	GEAR	48	SPACER
22	KEY	49	CLIP
23	SELF-OIL BEARING	50	LEAD WIRE
24	GEAR	51	BUSH
25	SPINDLE	52	SCREW
26	BEARING	53	SPRING WASHER
27	KEY	54	FLAT WASHER

RU5101101

TH1420-C

NO.	DESCRIPTION	NO.	DESCRIPTION
1	ADJUST SCREW	21	WORKING TABLE BOARD
2	KEY	22	SCREW
3	BEVEL GEAR	23	RAIL
4	CIRCLIP	24	GUIDE POLE
5	KEY	25	KEY
6	SCREW	26	ADJUST SCREW
7	SLID BEARING	27	SCREW
8	TRANSMISSION ROD	28	STOP PAD
9	FIX PLATE	29	BEVEL GEAR
10	WASHER	30	CIRCLIP FOR SHAFT
11	SCREW	31	SIDE COVER
12	TUBE	32	SCREW
13	SCALE	33	PLUG
14	BOLT	34	SPRING
15	NUT	35	HANDLE
16	EXTENT TABLE	36	SCREW
17	WORKING TABLE	37	SPRING FLAKE
18	WASHER	38	SCREW
19	SCREW	101	ADJUSTABLE NUT
20	SPRING PIN	102	ADJUSTABLE BOLT SLEEVE

ST20101116