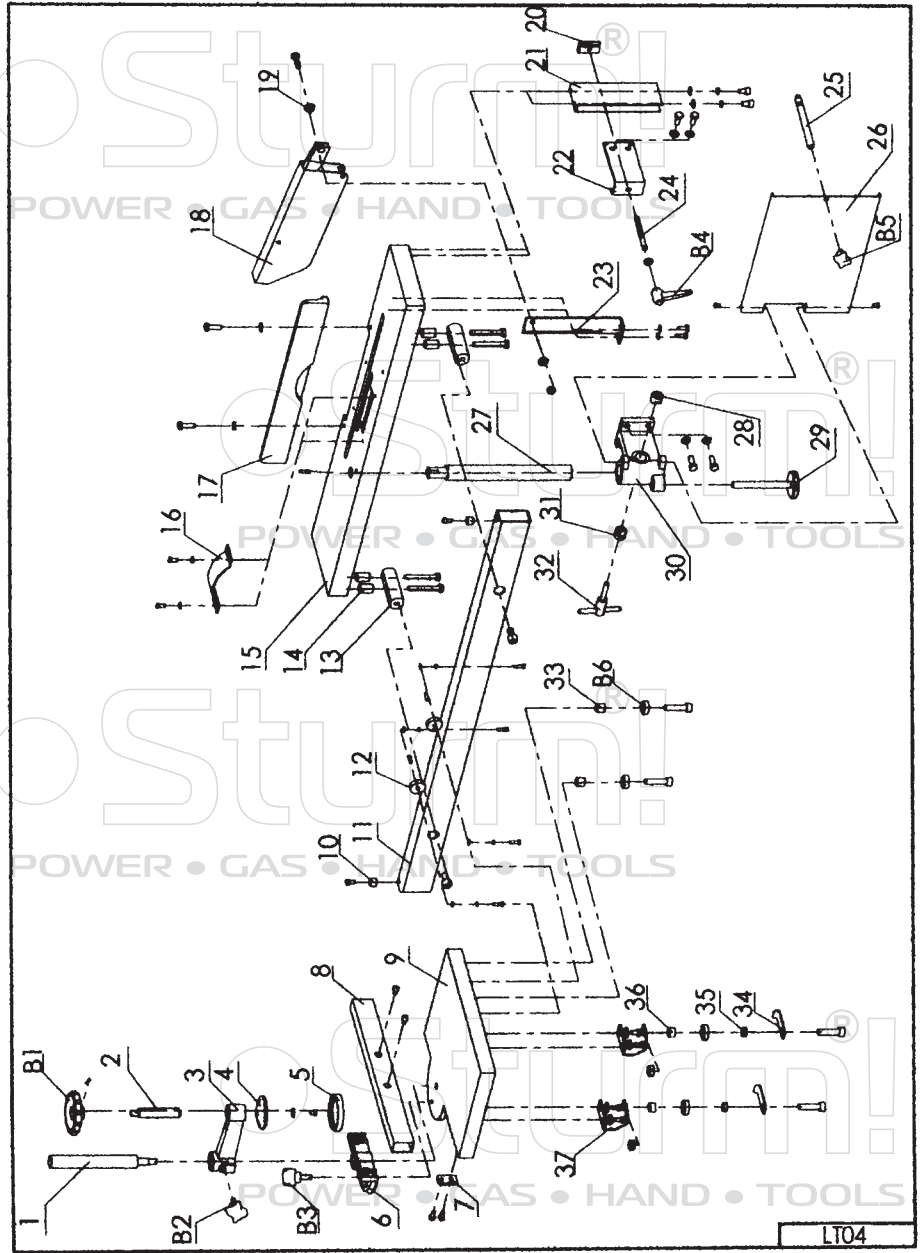
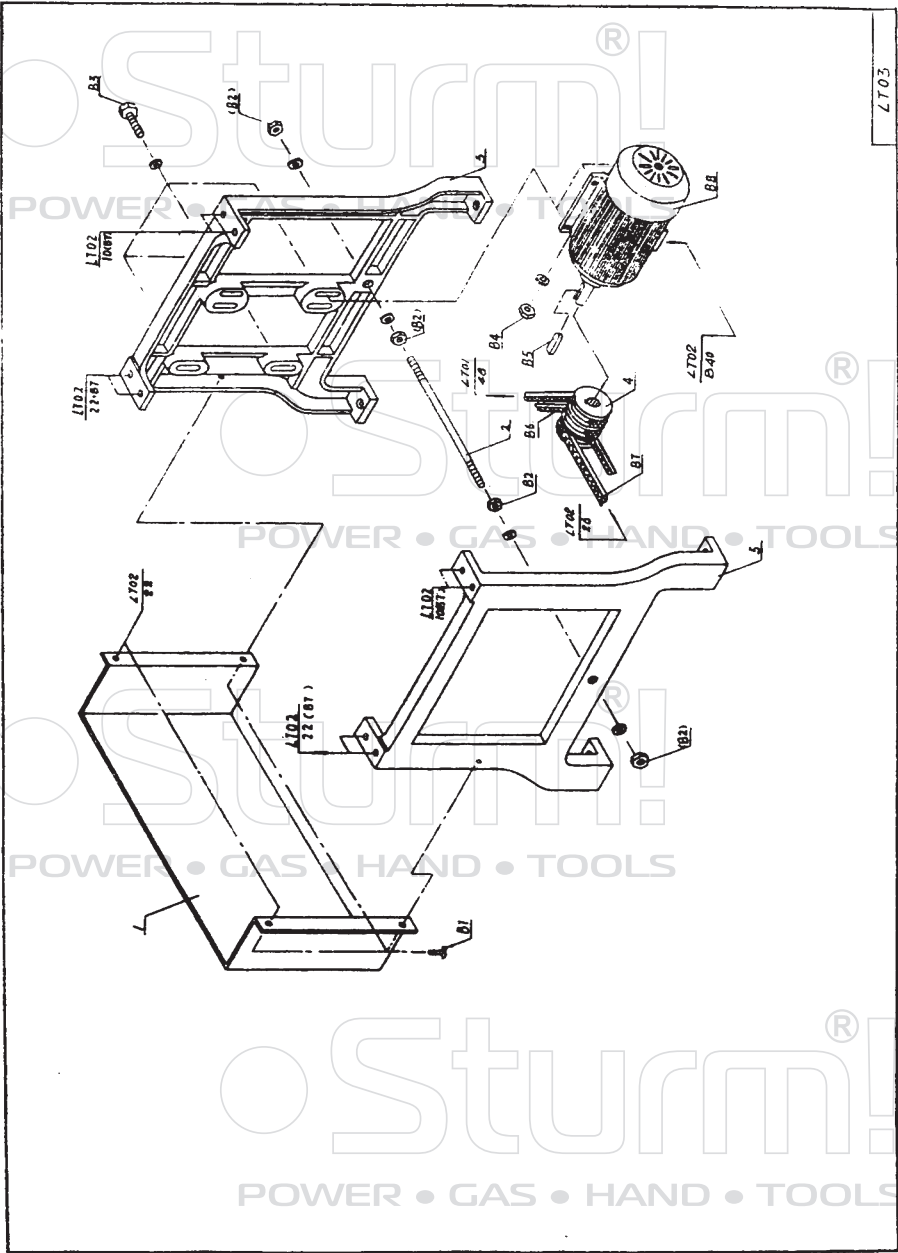
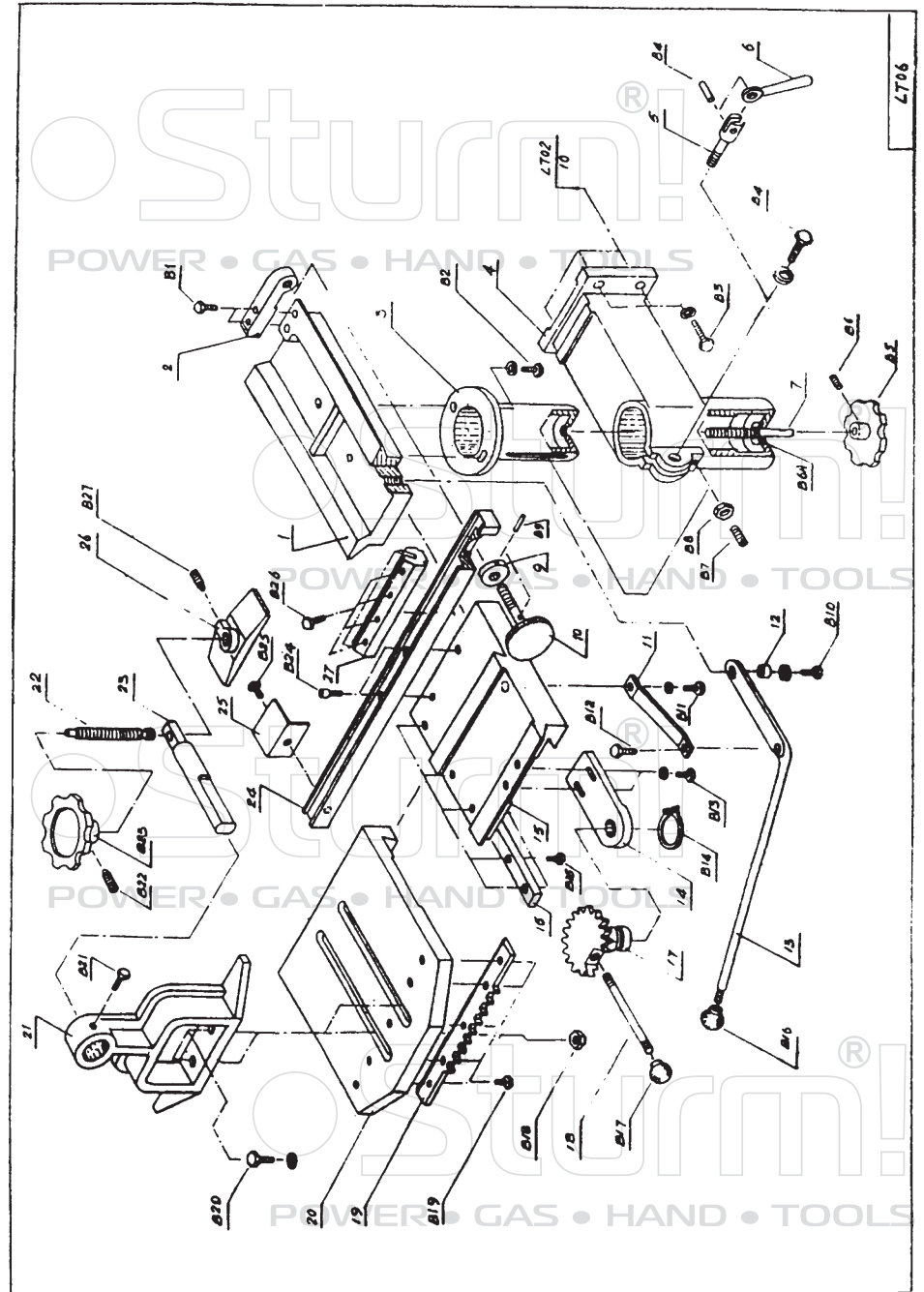
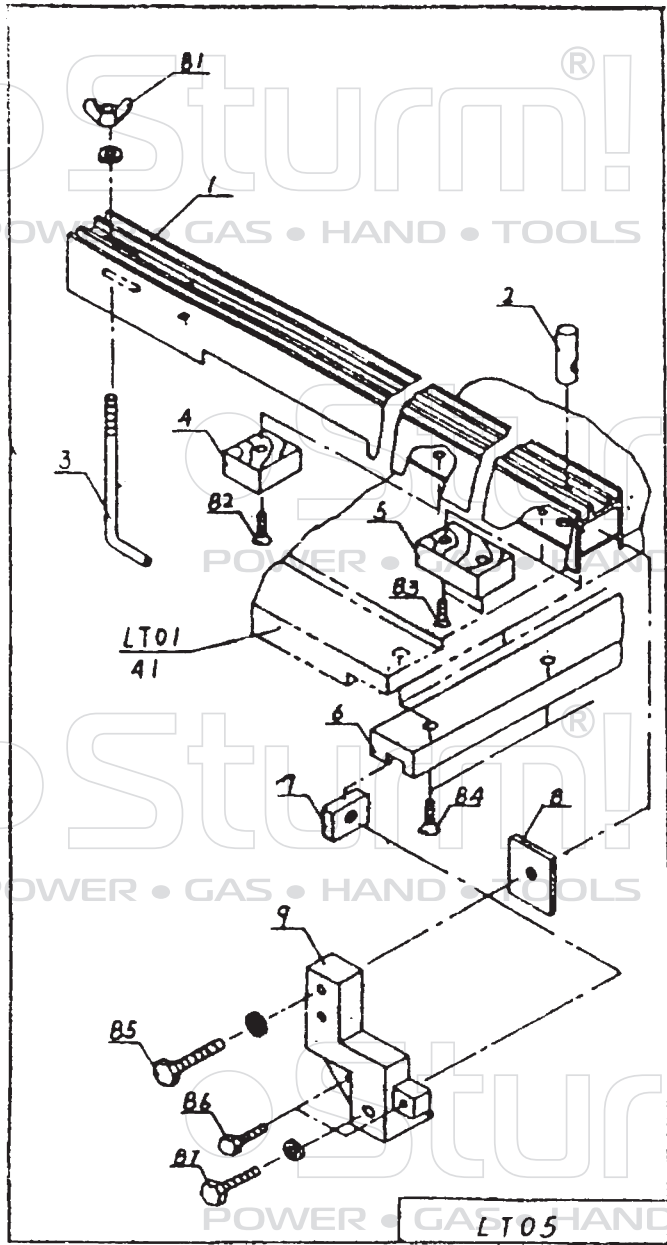


2017







WM1924 Part List LT01

NO	DESCRIPTION	NO	DESCRIPTION
5	FRONT BENCH	46	BEARING COVER
6	LEFT SUPPORTER	47	DISTANCE SLEEVE
7	TENSION RING	48	ARBOR PULLEY
8	RIGHT SUPPORTER	49	SAW BASE
9	ELECTRIC SLEEVE	50	SANDWHEEL BUSH
10	SPRING	52	ADJUSTING SPACER
11	DUST WASHER	53	ADJUSTING SPACER
12	BOLT	54	NUT
13	RIGHT HOOD	55	CHAMFERING TOOL
14	SPRING	56	ADJUSTING SPACER
15	HOOD SUPPORTER	57	ADJUSTING SPACER
16	LIP PLATE	58	RABBET CUTTER
17	ADJUST SCREW ARBOR BASE	B5	SCREW
18	SCREW ARBOR	B6	SCREW
19	NUT	B7	SCREW
20	LOCKING KNOB	B8	NUT
21	SPRING	B9	BOLT
22	LEFT HOOD	B10	KNOB BALL
23	BEARING COVER	B11	BEARING 204
24	SAND WHEEL SHAFT	B12	DRILL CHUCK JS13/2A
25	PAPER WASHER	B13	SAND WHEEL
26	PRESS WASHER	B14	BOLT
27	HOLLOW CHISEL SUPPORTER	B15	DRILL BIT
28	LEFT BEARING BASE	B16	BOLT
29	BEARING BLOCK	B17	HOLLOW CHISEL
30	BOLT	B18	BOLT
31	CUTTER BODY	B19	SCREW
32	PLANING TOOL	B20	SCREW
33	TOOL PRESS ROLLER	B21	BOLT
34	PRESS ROLLER	B22	FLAT KEY
35	RIGHT BEARING BASE	B23	SCREW
36	PLASTIC SPACER	B23A	SCREW
37	BACK STOP JAW	B24	NUT
38	BACK STOP SHAFT	B25	BOLT
39	GROOVED PRESS ROLLER	B26	BIKE CHAIN
41	BACK BENCH	B27	BOLT
42	SPRING	B29	SCREW
44	BIG SPROCKET	B30	V-BELT
45	PRESS SPACER	B31	SAW BLADE 305X3X25.4

WM1924 Part List LT02

NO	DESCRIPTION	NO	DESCRIPTION
1	PRESS PLANING BENCH	B1	CYLINDER PIN
2	FENCE	B2	SCREW
3	LOCKING KNOB	B3	SCREW
4	STAFF	B4	KNOB BALL
5	STAFF BASE	B5	BOLT
6	ATTACHING CLAMP	B6	BOLT
7	ENHANCED SHAFT	B7	BOLT
8	BIG SCREW GEAR	B8	BOLT
9	HOLDER COVER	B9	BOLT
10	LEFT WALLPLATE	B10	BOLT
11	HOLDER	B11	BOLT
12	SHAFT BUSH	B12	SCREW
13	SMALL SCREW GEAR	B13	NUT
14	SHAFT BUSH	B14	FLAT KEY
14A	ELEVATING ARBOR	B15	SCREW
14B	KNOB	B17	SCREW
14C	KNOB	B18	SCREW
15	DUST PLATE	B19	NUT
16	TENSION PULLEY SUPPORTER	B20	BOLT
17	PULLING SPRING	B21	BOLT
18	PRESS CASE	B23	RETAINER RING
19	BUSH	B24	BEARING 60203
20	SMALL SPROCKET	B25	KEY
20A	RETAINER RING	B26	RETAINER
21	GUIDE POST	B27	BOLT
22	RIGHT WALL PLATE	B28	V-BELT
23	GEAR SHAFT	B29	BOLT
24	DRIVING BEARING BASE	B30	BOLT
25A	DISTANCE SLEEVE	B30A	STEEL BALL
26	PULLEY	B31	KNOB BALL
27	DRIVING LEVER BASE	B32	BOLT
27A	SPRING	B33	BOLT
28	PRESSING CASE	B35	NUT
29	DRIVING LEVER	B36	FLAT KEY
30	SPRING HOOK	B37	BIKE CHAIN
31	SMALL SHAFT	B38	BOLT
32	DISTANCE SLEEVE	B39	RETAINER RING
33	DISTANCE SLEEVE	B40	CABLE
35	PRESSING WASHER	B41	THREE JAW PLUG
36	GEAR	B42	CABLE
37	SWITCH BOX	B43	ZINCED SCREW
38	SWITCH BOARD	B44	SWITCH
		B44N	SWITCH

WM1924 Part List LT03

NO	DESCRIPTION	NO	DESCRIPTION
1	HOOD	B3	BOLT
2	PULLING LEVER	B4	NUT
3	FRONT PILLAR	B5	KEY
4	MOTOR PULLEY	B6	V-BELT
5	BACK PILLAR	B7	V-BELT
B1	SCREW	B8	SINGLE PHASE MOTOR
B2	NUT		

WM1924 Part List LT05

NO	DESCRIPTION	NO	DESCRIPTION
1	GUIDE	9	FIXING BASE
2	LOCKING NUT	B1	BUTTERFLY NUT
3	L-SHAPE BOLT	B2	SCREW
4	WOOD PAD	B3	SCREW
5	WOOD PAD	B4	SCREW
6	FIXING PLATE	B5	BOLT
7	SQUARE NUT	B6	BOLT
8	RETAINER PLATE	B7	BOLT

WM1924 Part List LT04

NO	DESCRIPTION	NO	DESCRIPTION
1	PILLAR	23	RIVING KNIFE
2	SCREW	24	LOCKING BAR
3	TURNING ARM	25	PILLAR
4	PRESS BOARD	26	PROTECTION COVER
5	PRESS BOARD COVER	27	PILLAR
6	DIMENSION GAUGE	28	NUT
7	LOCATION BOARD	29	SCREW
8	GUIDE RULER	30	SUPPORTER
9	SLIDE WORK TABLE	31	BUSH
10	FIXED BLOCK	32	BOLT WITH HANDLE
11	SAW GUIDE	33	BUSH
12	PULLEY	34	BUCKLE
13	GUIDE BASE	35	BUSH
14	BUSH	36	BUSH
15	WORK TABLE	37	SUPPORTER
16	GUARD PLATE	B1	HAND WHEEL
17	TABLE GUIDE	B2	KNOB
18	PROTECTION COVER	B3	KNOB
19	BUSH	B4	HANDLE
20	LOCKED SCREW	B5	KNOB
21	SUPPORTING BOARD	B6	BEARING 80100
22	FIXED BOARD		

WM1924 Part List LT06

NO	DESCRIPTION	NO	DESCRIPTION
1	SLIDING BASE	B2	BOLT
2	NUT	B3	BOLT
3	LEADING POST	B4	CYLINDER PIN
4	MORTISE CHISELING SUPPORTER	B5	HAND WHEEL
5	LOCKING SCREW	B6	SCREW
6	SWING KNOB	B6A	WASHER
7	SCREW ARBOR	B7	SCREW
9	RETAINER RING	B8	NUT
10	MIC-FEEDING SCREW ARBOR	B9	CYLINDER PIN
11	CONNECT BAR	B10	BOLT
12	PRESSING CASE	B11	BOLT
13	KNOB LEVER	B12	BOLT
14	GEAR SUPPORTER	B13	BOLT
15	SLIDER	B14	RETAINER RING
16	WEDGE	B15	BOLT
17	GEAR	B16	KNOB BALL
18	KNOB LEVER	B17	KNOB BALL
19	TEETH BAR	B18	SQUARE NUT
20	MORTISE CHISELING BENCH	B19	BOLT
21	MORTISE CHISELING FENCE	B20	BOLT
22	SCREW ARBOR	B21	BOLT
23	PRESSING SHAFT	B22	SCREW
24	GRINDING SLIDE WAY	B23	HANDWHEEL
25	SAW GRINDING SUPPORTER	B24	SCREW
26	PRESS PLATE	B25	BOLT
27	TOOL SHARPENING SUPPORTER	B26	SCREW
B1	BOLT	B27	SCREW