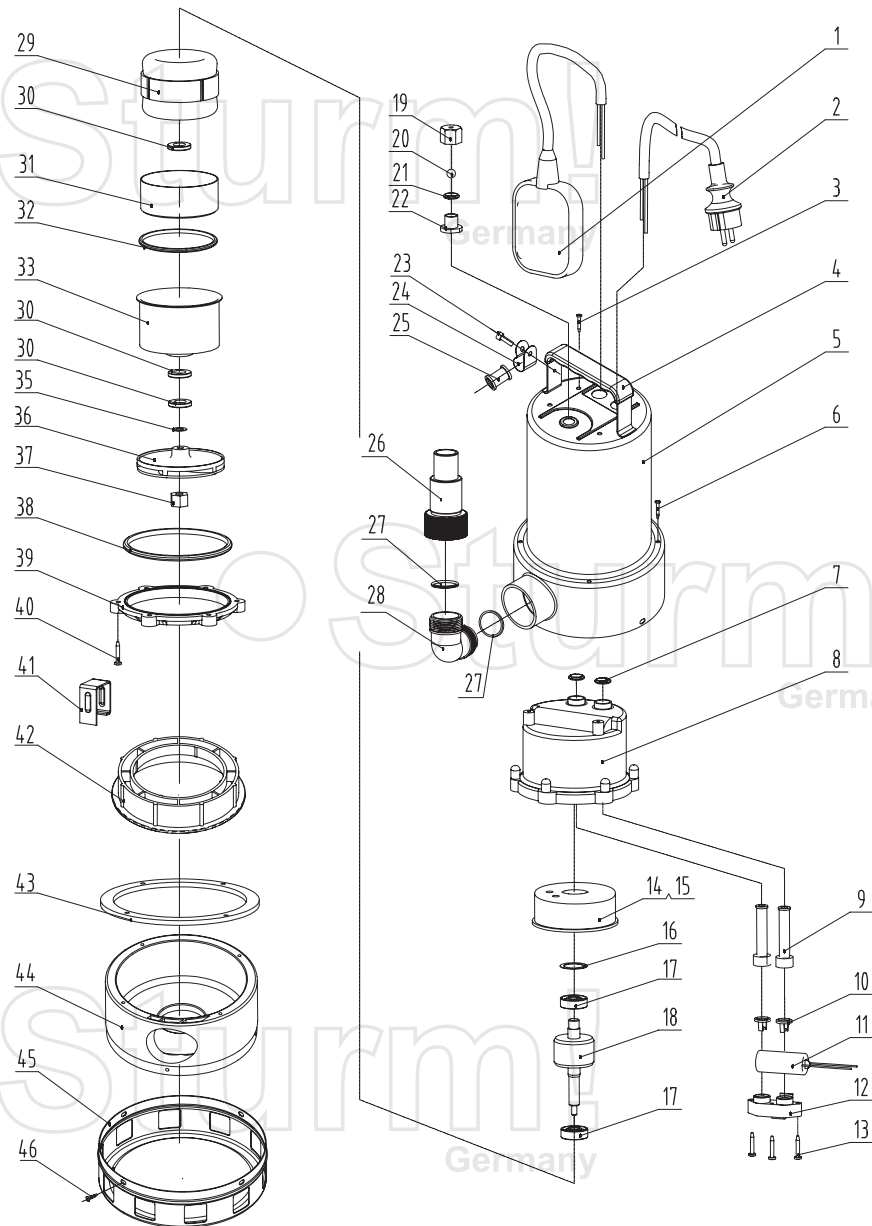


WP9713



NO.	DESCRIPTION	NO.	DESCRIPTION
1	FLOATING SWITCH	24	CABLE CLAMP
2	CABLE AND PLUG	25	CABLE SLEEVE
3	TAPPING SCREW	26	OUTPUT CONNECTOR
4	HANDLE	27	O RING
5	MAIN HOUSING	28	SYPHON
6	TAPPING SCREW	29	STATOR
7	O RING	30	SKELETON SEALING RING
8	REAR COVER	31	MOTOR BUSH
9	CABLE SLEEVE	32	O RING
10	CABLE CLAMP	33	FRONT MOTOR COVER
11	CAPACITOR	35	ADJUSTING WASHER
12	CABLE CLAMP BLOCK	36	IMPELLER
13	TAPPING SCREW	37	NUT
14	REAR MOTOR COVER	38	O RING
15	WIRE SLEEVE	39	PRESSING RING
16	WAVED WASHER	40	TAPPING SCREW
17	BEARING 6201-2Z	41	EARTHING PIECE
18	ROTOR	42	FIXING RING
19	NUT	43	SEALING PAD
20	STEEL BALL	44	INNER BASE
21	SEALING RING	45	BASE
22	AIR OUTLET	46	TAPPING SCREW
23	SCREW		

RU6080201