

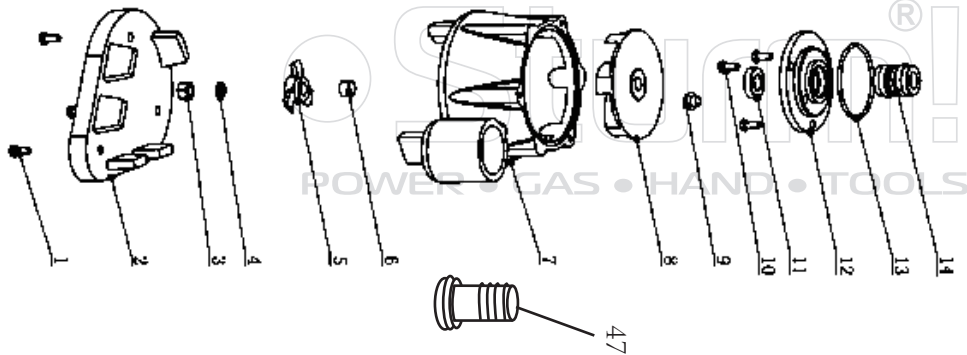
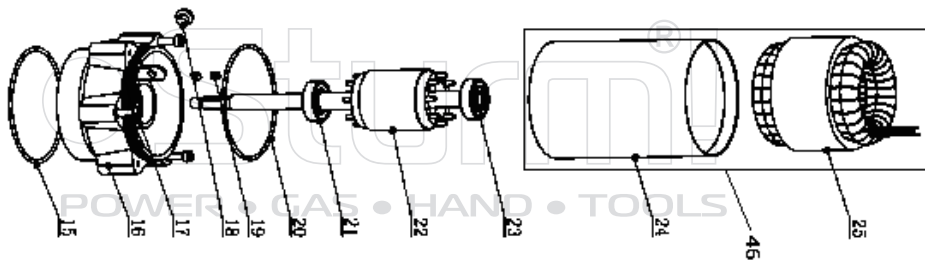
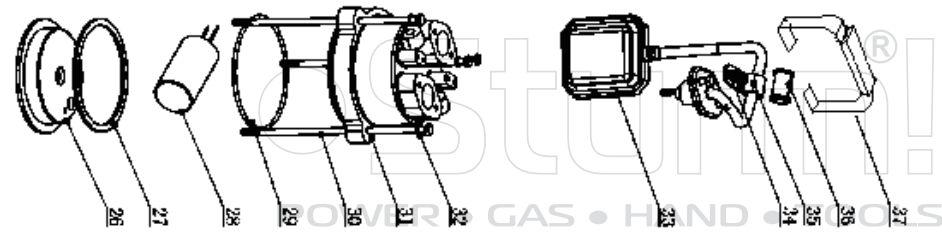
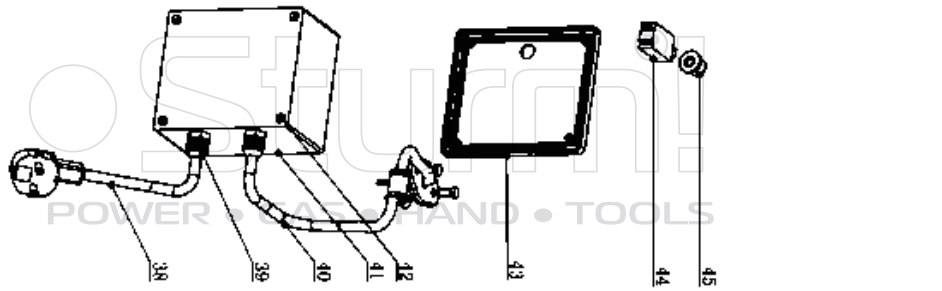
Sturm!

POWER • GAS • HAND • TOOLS

WP97305

| NO. | DESCRIPTION | NO. | DESCRIPTION |
|-----|-----------------|-----|----------------------------|
| 1 | SCREW | 24 | MOTOR HOUSING |
| 2 | FILTER BOTTOM | 25 | STATOR WITH WIRE |
| 3 | NUT | 26 | COVER PLATE |
| 4 | WASHER | 27 | "O" RING |
| 5 | CUTTING BLADE | 28 | CAPACITOR |
| 6 | SHAFT SLEEVE | 29 | "O" RING |
| 7 | PUMP BODY | 30 | SCREW |
| 8 | IMPELLER | 31 | TOP COVER |
| 9 | NUT | 32 | WASHER |
| 10 | SCREW | 33 | FLOW SWITCH |
| 11 | OIL SEAL | 34 | SCREW |
| 12 | BOTTOM COVER | 35 | CABLE PRESSER |
| 13 | "O" RING | 36 | CABLE PROTECTOR |
| 14 | MECHANICAL SEAL | 37 | HANDLE |
| 15 | "O" RING | 38 | PLUG |
| 16 | OIL CHAMBER | 39 | CABLE PROTECTOR |
| 17 | SCREW | 40 | CABLE |
| 18 | NUT | 41 | PROTECTOR BOX |
| 19 | PIN | 42 | SCREW |
| 20 | "O" RING | 43 | PROTECTOR COVER |
| 21 | BEARING | 44 | CURRENT OVERLOAD PROTECTOR |
| 22 | ROTOR | 45 | RUBBER COVER |
| 23 | BEARING | 46 | HOUSING WITH STATOR |
| | | 47 | WATER OUTLET |

UK-ST20190404



Sturm!

POWER • GAS • HAND • TOOLS