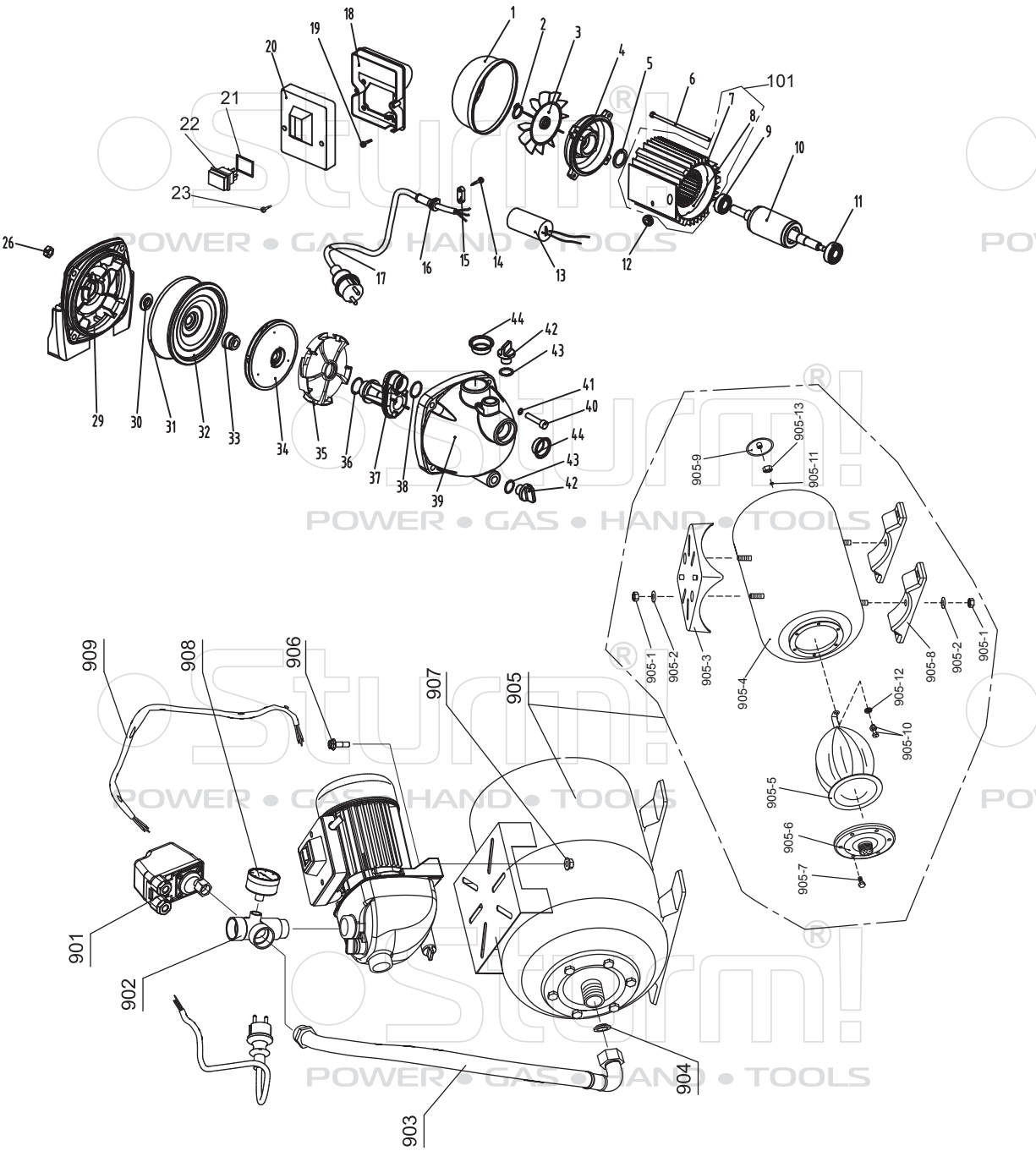


Sturm!

WP9709VS



NO.	DESCRIPTION	NO.	DESCRIPTION
1	FAN COVER	37	GUIDE FLOWING PIECE
2	CIRCLIP	38	"O" RING
3	FAN	39	PUMP HEAD
4	REAR COVER	40	BOLT
5	WAVEFORM SPRING	41	WASHER
6	BOLT	42	VALUE COVER
7	ALUMINIUM HOUSING	43	"O" RING
8	STATOR	44	DUSTPROOF COVER
9	BEARING 6201-2Z	901	MECHANISM PRESSURE SWITCH
10	ROTOR	902	FIVE DIRECTION CONNECTOR
11	BEARING 6202-2Z	903	SOFT TUBE
12	CORD SLEEVE	904	SEALING WASHER
13	CAPACITOR	905	PRESSURE POT
14	TAPPING SCREW	905-1	NUT
15	CORD CLAMP	905-2	WASHER
16	CORD SLEEVE	905-3	PLASTIC SUPPORT
17	CORD & PLUG	905-4	PRESSURE POT BODY
18	JUNCTION BOX	905-5	WATER VESICLE
19	TAPPING SCREW	905-6	FLANGE
20	JUNCTION BOX COVER	905-7	BOLT
21	SEALING WASHER	905-8	PLASTIC BOTTOM
22	WATERPROOF SWITCH	905-9	VALVE COVER
23	TAPPING SCREW	905-10	VALVE
26	NUT	905-11	WASHER
29	FORE COVER	905-12	PRESS PLATE
30	SWING RING	905-13	NUT
31	"O" RING	906	BOLT
32	SEALING RING	907	NUT
33	MECHANISM AIRPROOF	908	PRESSURE METER
34	IMPELLER	909	CORD
35	GUIDE FLOWING PLATE	101	STATOR ASSEMBLY(7+8)
36	"O" RING		

ST20120412-01