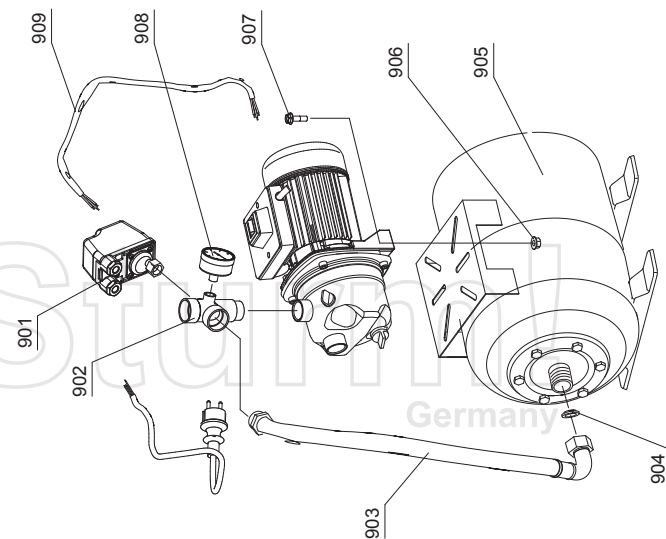


## WP9714VI WP9714VT

NO.	DESCRIPTION	NO.	DESCRIPTION
1	FAN COVER	32	SEALING RING
2	CIRCLIP	33	MECHANISM AIRPROOF
3	FAN	34	IMPELLER
4	REAR COVER	35	GUIDE FLOWING PLATE
5	WAVEFORM SPRING	36	"O" RING
6	BOLT	37	GUIDE FLOWING PIECE
7	ALUMINIUM HOUSING	38	"O" RING
8	STATOR	39	PUMP HEAD
9	BEARING 6201-2Z	40	VALUE COVER
10	ROTOR	41	MIDDLE SEALING SLEEVE
11	BEARING 6202-2Z	42	"O" RING
12	CORD SLEEVE	43	DUSTPROOF COVER
13	CAPACITOR	44	SCREW
14	TAPPING SCREW	45	VALUE COVER
15	CORD CLAMP	46	SMALL SEALING SLEEVE
16	CORD SLEEVE	47	"O" RING
17	CORD		
18	JUNCTION BOX		
19	TAPPING SCREW	901	MECHANISM PRESSURE SWITCH
20	JUNCTION BOX COVER	902	FIVE DIRECTION CONNECTOR
21	SEALING WASHER	903	SOFT TUBE
22	WATERPROOF SWITCH	904	SEALING WASHER
23	TAPPING SCREW	905	PRESSURE POT
26	NUT	906	BOLT
29	FORE COVER	907	NUT
30	SWING RING	908	PRESSURE METER
31	"O" RING	909	CORD



RU7030701